



File Name: cub cadet trimmer manual.pdf

Size: 2290 KB

Type: PDF, ePub, eBook

Category: Book

Uploaded: 15 May 2019, 23:32 PM

Rating: 4.6/5 from 667 votes.

Status: AVAILABLE

Last checked: 7 Minutes ago!

In order to read or download cub cadet trimmer manual ebook, you need to create a FREE account.

[**Download Now!**](#)

eBook includes PDF, ePub and Kindle version

[Register a free 1 month Trial Account.](#)

[Download as many books as you like \(Personal use\)](#)

[Cancel the membership at any time if not satisfied.](#)

[Join Over 80000 Happy Readers](#)

Book Descriptions:

We have made it easy for you to find a PDF Ebooks without any digging. And by having access to our ebooks online or by storing it on your computer, you have convenient answers with cub cadet trimmer manual . To get started finding cub cadet trimmer manual , you are right to find our website which has a comprehensive collection of manuals listed.

Our library is the biggest of these that have literally hundreds of thousands of different products represented.



Book Descriptions:

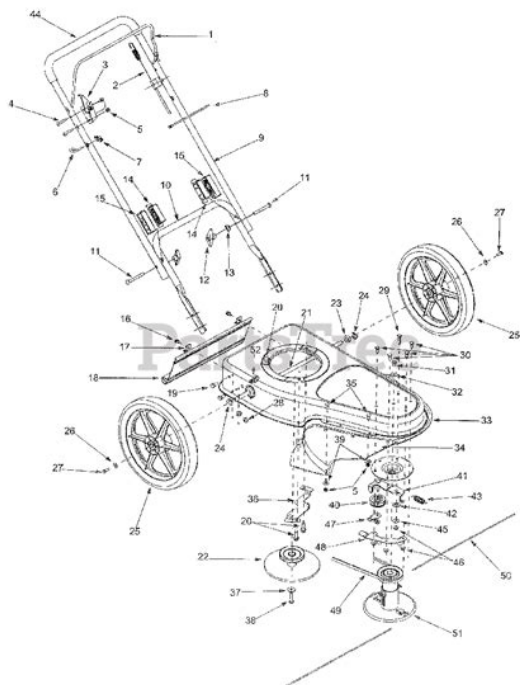
cub cadet trimmer manual



Learn More Not a problem. You can download a copy of your Operators Manual for free right here. Your model number is required to find your mower owners manual. A serial number will get you an exact match. We can also help you find your model number if youre not sure where to look. A serial number will get you an exact match. You may unsubscribe at any time. Please refer to our Privacy Policy. To speak with an agent, you might experience longer than normal hold times. We apologize for the inconvenience. See your local Cub Cadet Independent Dealer for warranty details. Pricing Disclaimer Posted price is manufacturers suggested sale price. Models and pricing may vary by location. Taxes and delivery not included. Image Disclaimer Image may not reflect dealer inventory or unit specifications. Specifications Disclaimer Specifications subject to change without notice. Operators Manual Disclaimer The operators manual posted is for general information and use. To ensure the download of the operators manual specific to your unit, we require a model and serial number. Professional Products Cub Cadet commercial products are intended for professional use. UTV Cub Cadet Utility Vehicles UTV are intended for offroad use by adults only. Please see the operator's manual and the warning labels posted on the vehicle itself for more details. Email disclaimer Sign up to receive communication on services, products and special offers. You may unsubscribe at any time. Please refer to our Privacy Policy. We reserve the right to make changes at any time without notice. SAVE THESE INSTRUCTIONS For service call 18772828684, or 18006681238 in Canada to obtain a list of authorized service dealers near you. For more details about your unit, visit our website at www.cubcadet.com. If you have difficulty assembling this product or have any questions regarding the controls, operation or maintenance of this unit, please call the Customer Support Department. <http://edu-soft.ru/site/htmlimages/how-to-drive-jeep-wrangler-manual.xml>

- **cub cadet trimmer manual, cub cadet string trimmer manual, cub cadet trimmer mower manual, cub cadet weed trimmer manual, cub cadet ss470 trimmer manual, cub cadet bc210 trimmer manual, cub cadet st100 trimmer manual, cub cadet push trimmer manual, cub cadet trimmer owners manual, cub cadet 4 cycle trimmer manual, 1.0, cub cadet trimmer manual, cub cadet string trimmer manual, cub cadet**

trimmer mower manual, cub cadet weed trimmer manual, cub cadet ss470 trimmer manual, cub cadet bc210 trimmer manual, cub cadet st100 trimmer manual, cub cadet push trimmer manual, cub cadet trimmer owners manual, cub cadet 4 cycle trimmer manual.



Copy the serial number here Copy the model and parent part number here Before beginning, locate the unit's model plate. It lists the model and serial numbers of your unit. Refer to the sample plate below and copy the information for future reference. Check with your state or local authorities for regulations pertaining to these requirements. Failure to follow these requirements could subject you to liability or a fine. This unit is factory equipped with a spark arrestor. Page 2 RULES FOR SAFE OPERATION Page 3 RULES FOR SAFE OPERATION. Page 4 KNOW YOUR UNIT OIL AND FUEL INFORMATION. KNOW YOUR UNIT Spark Arrestor Spark Plug Page 5 STARTING AND STOPPING INSTRUCTIONS OPERATING INSTRUCTIONS. Page 6 MAINTENANCE AND REPAIR INSTRUCTION The California Air Resources Board, the Environmental. Page 9 Manual del Operador Page 11 NORMAS PARA UNA OPERACION SEGURA. Page 12 CONOZCA SU UNIDAD INFORMACION DEL ACEITE Y DEL COMBUSTIBLE. APLICACIONES Amortiguador de Bujia de encendido. Como recortador chispas Page 14 INSTRUCCIONES DE MANTENIMIENTO Y REPARACION. Page 15 INSTRUCCIONES DE MANTENIMIENTO Y REPARACION RESOLUCION DE PROBLEMAS Page 16 DECLARACION DE GARANTIA DE CONTROL DE EMISIONES EVAPORATIVAS DE LA EPA PARA CALIFORNIA Page 17 NOTE. Page 2 1 To The Owner Thank You Thank you for purchasing a Cub Cadet String Trimmer. It was carefully engineered to provide excellent performance when properly operated and maintained. Please read this entire manual prior to operating the equipment. It instructs you how to safely and easily set up, operate and maintain your machine. Please be sure that you, and any other persons who will operate the machine, carefully follow the recommended safety practices at all times. Read and follow all instructions in this manual before attempting to operate this machine. Failure to comply with these instructions may result in personal injury. When you see this symbol. Page 4 11. Do not put hands or feet near or under rotating parts. <https://absolute-siberia.com/userfiles/how-to-drive-in-manual-on-mario-kart-wii.xml>

Cub Cadet

Parts Manual



2-Cycle Trimmer

Model CC 2000 Factory Number 41A & 41B

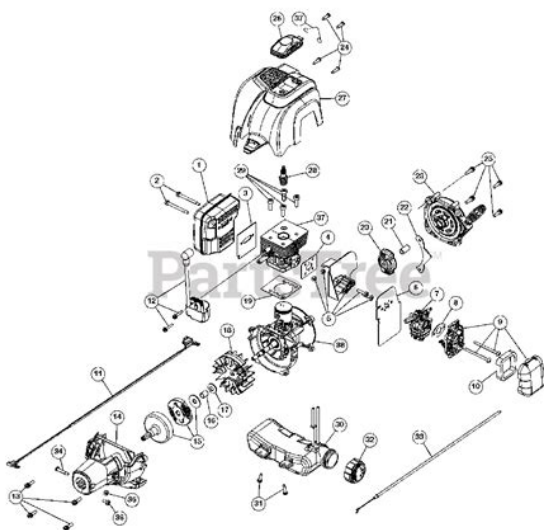
Cub Cadet LLC P.O. Box 361131 Cleveland, OH 44136-0019

FORM 791-(11/01) (770-10695 Rev. 09/02)
Printed in U.S.A.

Keep clear of discharge area at all times as the rotating spindle and trimmer lines can cause injury. 12. Never operate the string trimmer without proper shields, guards, control lever or other safety protective devices in place and working. 13. Never operate the string trimmer with damaged safety devices. Failure to do so, can result in personal injury. 14. Page 5 4. Use extreme care when approaching blind corners, doorways, shrubs, trees, or other objects that may obscure your vision of a child who may run into the string trimmer. 5. Keep children away from hot or running engines. They can suffer burns from a hot muffler. 6. Before cleaning, repairing, or inspecting, make certain the spindle and all moving parts have stopped. Disconnect the spark plug wire and ground against the engine to prevent unintended starting. 3. Page 6 Notice Regarding Emissions Engines which are certified to comply with California and federal EPA emission regulations for SORE Small Off Road Equipment are certified to operate on regular unleaded gasoline, and may include the following emission control systems Engine Modification EM, Oxidizing Catalyst OC, Secondary Air Injection SAI and Three Way Catalyst TWC if so equipped. Page 7 Safety Symbols This page depicts and describes safety symbols that may appear on this product. Read, understand, and follow all instructions on the machine before attempting to assemble and operate. Symbol Description READ THE OPERATOR'S MANUALS Read, understand, and follow all instructions in the manuals before attempting to assemble and operate EYE PROTECTION Always wear safety glasses or safety goggles when operating this machine. Slopes are a major factor related to tipover and rollover accidents which can result in severe injury or death. Do not operate machine on slopes in excess of 15 degrees. All slopes require extra caution. Always mow across the face of slopes, never up and down slopes.

Fill up the gasoline and oil as instructed in the accompanying engine manual BEFORE operating your machine. Upper Handle 1. Remove the wing knob and carriage bolt from the left lower handle and the right lower handle. See Figure 31. 2. Page 10 Starter Rope SetUp 1. Disconnected the spark plug boot from the spark plug refer to the separate Engine Manual. Gas and Oil FillUp 2. Pivot the control handle against the upper handle and pull the rope out of the engine. 3. Loop the rope through the eye bolt. See Figure 33. 4. Tighten the eye bolt to the handle using the lock nut. DO NOT overtighten. Refer to the separate engine owner's manual for additional engine information. 1. Page 11 4 Controls and Features Control Lever Recoil Starter Flywheel Screen Trimmer Line

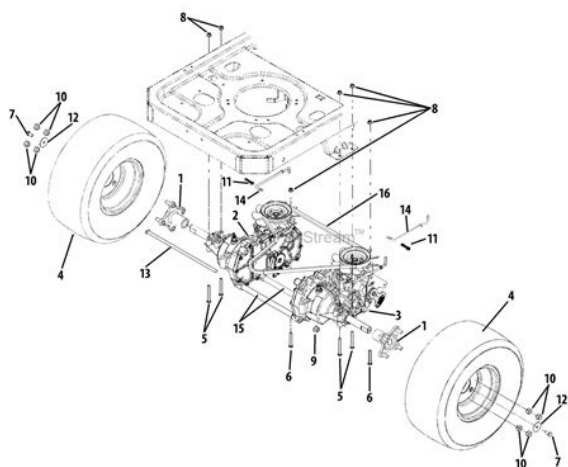
Trimmer Deflector Spindle Figure 46 Recoil Starter Spindle The recoil starter is attached to the right side of the upper handle. Stand behind the unit and pull the recoil starter rope to start the unit. The spindle rotates the trimmer line. Trimmer Deflector The trimmer line is attached to the spindle assembly and it is used to trim grass, vegetation, undergrowth and weeds. Page 18 1 Al propietario Gracias Gracias por comprar una orilladora Cub Cadet. La misma ha sido cuidadosamente diseñada para brindar excelente rendimiento si se la opera y mantiene correctamente. Por favor lea todo este manual antes de hacer funcionar el equipo. El manual le indica como configurar, operar y mantener la maquina con seguridad y facilmente. Lea y cumpla todas las instrucciones de este manual antes de intentar operar esta maquina. Si no respeta estas instrucciones puede provocar lesiones personales. Cuando vea este simbolo. Page 20 11. 12. Nunca haga funcionar la orilladora sin tener colocados y funcionando los escudos, los protectores, la palanca de control y otros dispositivos de seguridad. 13. Nunca haga funcionar la orilladora si los dispositivos de seguridad estan danados.



De lo contrario, pueden producirse lesiones personales. 14. Muchas lesiones ocurren como resultado de pasar la orilladora sobre los pies durante una caída luego de resbalar o tropezar. Page 21 5. Mantenga a los niños alejados de los motores en marcha o calientes. Pueden sufrir quemaduras con un silenciador caliente. 6. No permita nunca que los niños menores de 14 años utilicen esta maquina. Los niños de 14 años en adelante deben leer y entender las instrucciones y las normas de seguridad contenidas en este manual y en la maquina y deben ser entrenados y supervisados por un adulto. 2. Page 22 Aviso referido a emisiones Los motores que están certificados y cumplen con las normas sobre emisiones federales EPA y de California para SORE Equipos pequeños todo terreno están certificados para funcionar con gasolina sin plomo común y pueden incluir los siguientes sistemas de control de emisiones Modificación de motor EM, catalizador oxidante OC, inyección de aire secundaria SAI y catalizador de tres vías TWC si están instalados. Page 23 Símbolos de seguridad En esta página se presentan y describen los símbolos de seguridad que en este producto puede tener. Lea, entienda y siga todas las instrucciones incluidas en la maquina antes de intentar armarla y hacerla funcionar. Símbolo Descripción LEA LOS MANUALES DEL OPERADOR Lea, entienda y siga todas las instrucciones incluidas en los manuales antes de intentar armar la maquina

y hacerla funcionar. Corte siempre en sentido transversal a las caras de la pendiente, nunca hacia arriba y abajo. Llene con gasolina y aceite como se indica en el manual del motor que se acompaña ANTES de hacer funcionar la máquina. Manillar superior 1. Page 26 Cuerda de arranque Configuración 1. Desconecte el capuchón de la bujía de la bujía de encendido consulte en el manual del motor. Llenado de gasolina y aceite 2. Gire la manija de control contra el manillar superior y extraiga del motor la cuerda de arranque tirando de ella. 3.

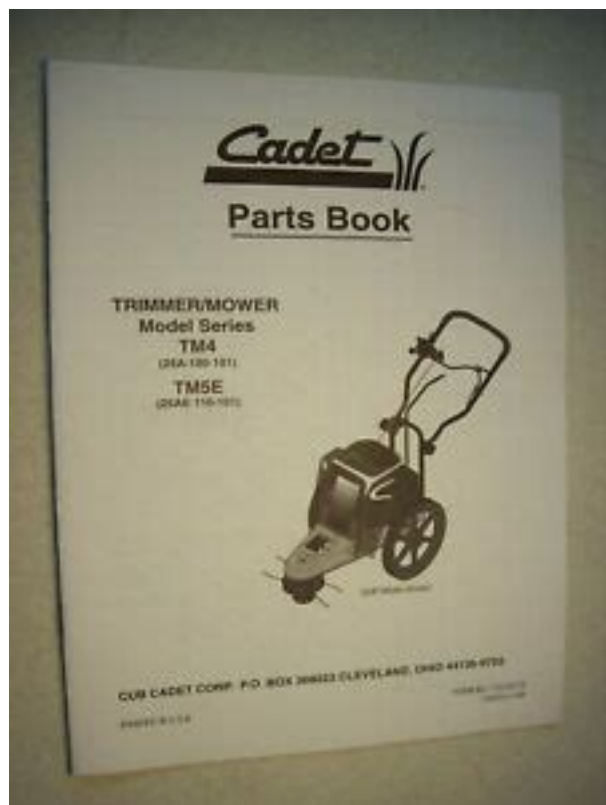
<https://www.cosma.nl/images/continental-o-300-manual.pdf>



Enhebre la cuerda a través del perno de ojo. Consulte la Figura 33. 4. Ajuste el perno de ojo contra la manija con la tuerca de seguridad. NO ajuste demasiado. Page 27 4 Controles y Características Palanca de control Arrancador de retroceso Pantalla del volante Hilo de recorte Deflector para orilladora Husillo Figura 41 Arrancador de retroceso Husillo El arrancador de retroceso está unido al lado derecho del manillar superior. Para arrancar la unidad colóquese detrás del mismo y tire del cordel del arrancador de retroceso. El husillo hace girar el hilo de recorte. Page 29 6 Mantenimiento y Ajustes Mantenimiento Siga los pasos que aparecen a continuación. La garantía de esta orilladora no cubre elementos que han sido sujetos a uso indebido o negligencia del operador. Para recibir el valor total de la garantía, el operador debe mantener la orilladora como se indica en este manual. El cambio de la velocidad controlada del motor invalidará la garantía del motor. It was carefully. Operator s Manuals. Your model number is required to find your owners manual. A serial number will get you an exact match. ENTER MODEL What is this. Cub Cadet 524 SWE Snow Blower User Manual. Page 1. Page 2. CUB CADET LLC, P.O. BOX 361131 CLEVELAND, OHIO 441360019. We have the following Cub Cadet 524 SWE TwoStage Snow Throwing manuals available for free PDF download. You may find documents other than just. Both Model Number and Serial Number are required. Reload to refresh your session. Reload to refresh your session. Hold times are long. Join Repair Clinics VIP email list for 10% off, plus other discounts and tips. Weve got millions of parts, hundreds of brands, and thousands of stepbystep videos— everything you need to find it, fix it and finish the job right. Not a problem. You can download a copy of your Operators Manual for free right here. Your model number is required to find your mower owners manual. A serial number will get

you an exact match.

<http://eastwestrubbertrading.com/images/continental-o-200-service-manual.pdf>



We can also help you find your model number if you're not sure where to look. A serial number will get you an exact match. You may unsubscribe at any time. Please refer to our Privacy Policy. See your local Cub Cadet Independent Dealer for warranty details. Pricing Disclaimer Posted price is manufacturer's suggested retail price. Models and pricing may vary by location. Taxes, applicable fees, setup and delivery not included. Prices and special offers valid only in Canada. Prices in Canadian dollars. Image Disclaimer Image may not reflect dealer inventory or unit specifications. Specifications Disclaimer Specifications subject to change without notice. Operators Manual Disclaimer The operators manual posted is for general information and use. To ensure the download of the operators manual specific to your unit, we require a model and serial number. You must have JavaScript enabled in your browser to utilize the functionality of this website. Get the Cub Cadet you want today and pay it off over 36 months with zero interest. Discover everything Scribd has to offer, including books and audiobooks from major publishers. Start Free Trial Cancel anytime. Report this Document Download Now Save Save Cub Cadet Trimmer Model CC 2000 operators manual For Later 100% 1 100% found this document useful 1 vote 2K views 20 pages Cub Cadet Trimmer Model CC 2000 operators manual Uploaded by elvisandmick Description Cub Cadet Trimmer Model CC 2000 operators manual Full description Save Save Cub Cadet Trimmer Model CC 2000 operators manual For Later 100% 100% found this document useful, Mark this document as useful 0% 0% found this document not useful, Mark this document as not useful Embed Share Print Download Now Jump to Page You are on page 1 of 20 Search inside document Browse Books Site Directory Site Language English Change Language English Change Language. It will help you assemble, prepare, maintain and safely operate your machine.

Your outdoor power equipment was built to be operated according to the rules and instructions for safe operation which are contained in the operators manual and on the machine itself. Read and

follow all instructions in the manual before attempting to operate your outdoor power equipment. As with any type of power equipment, carelessness or error on the part of the operator can result in serious injury. Your machine is capable of amputating hands and feet and throwing objects. Failure to observe the safety rules and instructions, both on the machine and in the Operators Manual, could result in serious injury or death. Due to the size of the Operators Manual, some Operators Manuals are broken down into two or more segments so that the entire Operators Manual can be downloaded easily. What Is the GasOil Mix Ratio for a Featherlite SST Weed Eater. How to Change the Oil on a FeatherLite Weed Eater The Oil Ratio for a Stihl Leaf Blower What Kind of Oil Goes in a Weed Eater Head. Cub Cadet is an American company known for its outdoor equipment, particularly lawn tractors. However, the company also manufactures many other types of outdoor equipment including trimmers, chain saws, utility vehicles and snow throwers. Several trimmer models are available including both 2cycle and 4cycle. Cub Cadets 2cycle trimmers vary in features and instructions, including the mixing ratio of fuel and oil. The owners manual for your Cub Cadet trimmer lists the proper fueltooil ratio for your specific model. Mix Ratio The exact mix ratio for Cub Cadet trimmers varies, depending upon the exact model. Cub Cadets ST 228 2cycle trimmer model uses a mix of 2.6 fluid ounces of 2cycle oil blended with 1 gallon of unleaded gasoline or a 50to1 ratio. This equates to 20 milliliters of 2cycle oil to 1 liter of gas. The Cub Cadet BC 210, on the other hand, requires a mix ratio of 40 to 1, or 3.2 fluid ounces of 2cycle engine oil to 1 gallon of unleaded gasoline.

<https://uniondeautoescuelas.com/wp-content/plugins/formcraft/file-upload/server/content/files/162889f9ea33c8--candy-c2512-manuale.pdf>

Gas Considerations When mixing fuel for a Cub Cadet 2cycle engine, its important to use the correct gasoline for the engine. Many of the fuels found today at gas stations contain gasoline and oxygenates such as ethanol or methanol. Oxygenated fuel has the ability to absorb water, which will cause the gasoline and 2cycle oil to separate. While it may be unavoidable to find nonblended fuel, do not use a fuel that contains more than 10 percent ethanol, because it can damage the engine of the Cub Cadet trimmer. Mixing Considerations Always mix the fuel and 2cycle oil in a separate container that is labelled to hold gasoline; do not mix the oil and fuel directly into the fuel tank of the Cub Cadet trimmer. When storing mixed oil and fuel for use later, store it in a safe location and not for longer than 30 days. Prior to fueling the trimmer, agitate the gas and oil mixture to ensure it is properly mixed. Oil and Additives Cub Cadet recommends using their brand of 2cycle oil for their 2cycle trimmers. The oil contains an additive that prevents corrosion and gum deposits. If you cannot find Cub Cadet 2cycle oil, choose a 2cycle oil designed for aircooled engines with a gas stabilizer. Mix 0.8 ounces of fuel additive per gallon of fuel when mixing the fuel and oil mixture. Kellys background also includes childcare, and animal rescue and care. Related What Type of Oil for a Poulan Chainsaw. Does the Stihl BR380 Leaf Blower Use a Gas Mix. What Is the GasOil Mix Ratio for a Featherlite SST Weed Eater. Your Cub Cadet ST 100 owners manual can be opened using a pdf reader thats freely available. Download your Cub Cadet ST 100 user manual today. Whether youre having a problem with your Cub Cadet ST 100 or you just want to find out more about it, its always good to have your owners manual handy. Download it, save it and keep it safe for future reference just in case you need to troubleshoot problems, repair the unit, or simply have a desire to learn its full capabilities.

Companies decide for themselves on what to include and what NOT to include in the owners manual. Some companies will provide full specifications for their products in the manual, while some provide only the necessary specs for consumers to know. Each company is different. You must download the Cub Cadet ST 100 manual, and read it, in order to find out what is all included in the PDF file i.e. warranty, specs, troubleshooting guide, use and maintenance. You must have JavaScript enabled in your browser to utilize the functionality of this website. Locate your product type and you will find a list of owners manuals, whether your machine is a walk behind, ride on mower or chipper shredder.

Contact us here and we will be more than happy to help. Get the Cub Cadet you want today and pay it off over 36 months with zero interest. Please use the box above to search for any other information. Unscrew bump knob clockwise. Removing Unit From Carton. Assemble The Unit Tools Required Starter Rope. Fuel Cap For replacement line, call 18772828684 or go to squeeze throttle. Insert spring. May be used when using the trimmer cutting attachment. Wear eye protection meeting ANSI Z87.1 1989 standards. You may spin during idle speed adjustments. Spark Plug Muffler Starter Rope Grip The housing. Throttle Control. Support Fitting. Fig. 7. Fig. 8 But Sounds Really Rough Trying To Start. W trimmer pulls good but sounds rough. Getting fuel from the plunger and spark. Still wont start. Die. Posted by Quadchamp94 2 years ago Cub Cadet CS 202 Answers Cc212 Trimmer Trimmer will start and idle a little rough. When you squeeze trigger to run it hesitates then stahls. Posted by loschmatt 6 years ago Cub Cadet CC 212 Answers Which Company Makes The 208 Cc Engine For This Blower. I Need An Engine Manual Posted by jimrucker 6 years ago Cub Cadet JS 1150 Answers Try to unplug it from the wall outlet for 1015 seconds to drain the power after.

Starts but immediately dies Vibrates excessively Runs for a while then dies Shaft vibrates excessively Blows black smoke from exhaust Leaks oil Cant turn engine off Engine RPMs surge up and down Starts but immediately dies Vibrates excessively Runs for a while then dies Shaft vibrates excessively Blows black smoke from exhaust Leaks oil Cant turn engine off Engine RPMs surge up and down Thank you for your question. First, you'll want to disconnect the trimmer attachment from the power unit. Second, rotate the cutting head until the opening on the flange aligns with the notch in the gear head. After that, insert a small hex wrench into the opening to prevent the spindle from rotating. Third, unscrew and remove the cutting head from the spindle. The spindle is reversethreaded. Finally, just thread the new cutting head onto the spindle, lock the spindle in place using a hex wrench, and tighten the new cutting head on. Make sure its handtight! Hope this helps. Depression, ADHD, memory loss, agitation These may seem like inevitable byproducts of modern lives spent multitasking, not getting enough sleep, and operating on digital overload. But while much of the brain's work still remains a mystery, a growing body of scientific evidence suggests that the food you eat directly affects how well your brain functions. Brain health also pl. The guests range from super celebs Jamie Foxx, Arnold Schwarzenegger, etc. and athletes icons of powerlifting, gymnastics, surfing, etc. to legendary Special Operations commanders and blackmarket biochemists. For most of my guests, it's the first time they. Height is mounting surface to grass screen. Actual engine power and torque are lower and affected by accessories air cleaner, exhaust, charging, cooling, fuel pump, etc., application, engine speed, ambient operating conditions temperature, humidity and altitude and other factors. For more information, contact Kohler Co. Engine Engineering Department. Kohler Co.

reserves the right to change product specifications, designs and standard equipment without notice and without incurring obligation. Turn your trimmer into the most versatile machine in your garage. No tools required. And to prove that we're serious, we back every attachment with a 2year limited warranty. Were here to help. Just Ask Troy. You may unsubscribe at any time. Please refer to our Privacy Policy. To speak with an agent, you might experience longer than normal hold times. We apologize for the inconvenience. Actual operating power may vary. Refer to the engine manufacturer's website for additional information. Pricing Disclaimer Posted price is in US Dollars and is the manufacturers suggested sale price. Available models and pricing may vary by location. Taxes, freight, setup, and delivery not included. Optional equipment, accessories and attachments sold separately. See your retailer for details. Image Disclaimer Image may not reflect retailer inventory or unit specifications and may include attachments and addons which must be purchased separately. Specifications Disclaimer Specifications and features subject to change without notice. Speed Disclaimer Actual vehicle speed varies based on load, use and environmental condition. Battery Disclaimer Battery and battery powered product performance varies with load, use and environmental conditions. Software Disclaimer Software available on Company websites is provided

on an “as is” basis without any warranty of any kind, either express or implied. The download and use of any software is done at the user’s own risk. Operators Manual Disclaimer The operators manual posted is for general information and use. To ensure the download of the operators manual specific to your unit, we require a model and serial number. Email disclaimer Sign up to receive communication on services, products and special offers. You may unsubscribe at any time. Please refer to our Privacy Policy.