

File Name: creative t15 manual.pdf

Size: 4612 KB

Type: PDF, ePub, eBook

Category: Book

Uploaded: 21 May 2019, 14:47 PM

Rating: 4.6/5 from 674 votes.

Status: AVAILABLE

Last checked: 7 Minutes ago!

In order to read or download creative t15 manual ebook, you need to create a FREE account.

[**Download Now!**](#)

eBook includes PDF, ePub and Kindle version

[Register a free 1 month Trial Account.](#)

[Download as many books as you like \(Personal use\)](#)

[Cancel the membership at any time if not satisfied.](#)

[Join Over 80000 Happy Readers](#)

Book Descriptions:

We have made it easy for you to find a PDF Ebooks without any digging. And by having access to our ebooks online or by storing it on your computer, you have convenient answers with creative t15 manual . To get started finding creative t15 manual , you are right to find our website which has a comprehensive collection of manuals listed.

Our library is the biggest of these that have literally hundreds of thousands of different products represented.



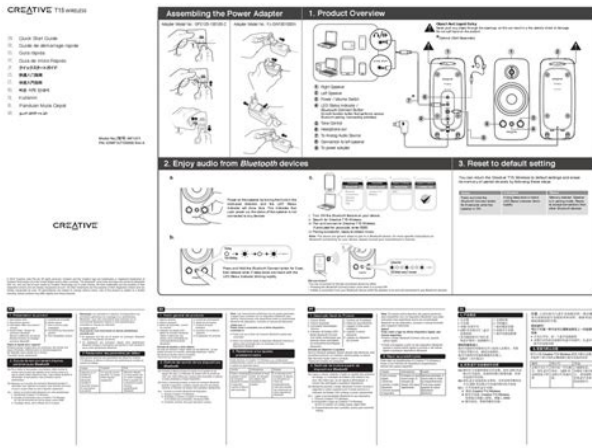
Book Descriptions:

creative t15 manual

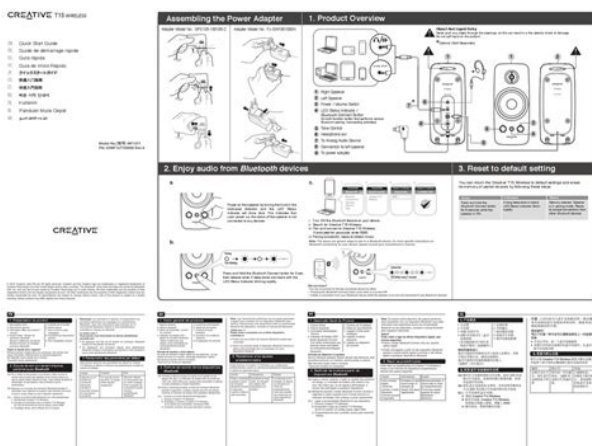


Safety Instructions
Additional guidelines for Bluetooth devices
Do not use the device in medical facilities,
Notice
A2DP Wireless Stereo Bluetooth. Supported Codec SBC. Operating Range. Up to 10 meters measured in open space. Walls and structures may affect range of device. Power Adapter Information. Brand Creative. Model Number GPE125130100Z. Output 13VDC 1A
PN 03MF167100002 Rev A. Notice for Korea
For more information, please refer to
The Creative T15 Wireless cannot be powered ON. What should I do
When the unit is
Vietnam RoHS
Statement
Substance
Maximum Limit ppm 1, 2
What should I do
Ensure that your Bluetooth enabled device supports A2DP profile.
You may try the following
Section 2 Enjoy audio from Bluetooth devices to repair your device with Creative T15 Wireless.
Bluetooth link is established and paired between the devices but there's no music. What should I do
Pour mettre l'appareil complètement hors tension, débranchez-le
Ne l'utilisez pas
Il émet des ondes radio
Version Bluetooth. Bluetooth 4.0. Fréquence de fonctionnement 2402 2480 MHz. A2DP Bluetooth stereo sans fil. Codecs pris en charge SBC. Portée de fonctionnement
Températures de fonctionnement du périphérique
Informations sur l'adaptateur. Marque Creative. Modèle GPE125130100Z. Sortie 13VDC 1A
Bluetooth ordinateur portable
1, PC1 ou périphérique mobile
2. Macintosh équipé d'un système stéréo sans fil Bluetooth
Android. Déclaration de compatibilité. Les performances sans fil dépendent de la technologie sans fil. Bluetooth de votre périphérique. Reportez-vous au manuel du
Creative ne pourra être tenu
Enregistrement du produit. L'enregistrement de votre produit vous assure de recevoir le
Vous pouvez enregistrer votre produit lors de l'installation ou sur le
Notez que vos droits à la garantie ne sont pas soumis à
Turkey RoHS
Statement
Manufacturer's Address. Creative Labs Pte. Ltd. Singapore 609921. Product Name. Creative T15 Wireless. Product Model Number FJSW1301000N or GPE125130100Z. Intended Use. Office and Home Usage.
<http://gorod-r.com/userfiles/ford-ranger-workshop-repair-manual.xml>

- **creative t15 manual, creative t15 wireless manual, creative t15 speakers manual, creative t15 manual, creative t15 manual, creative t15 wireless manual.**



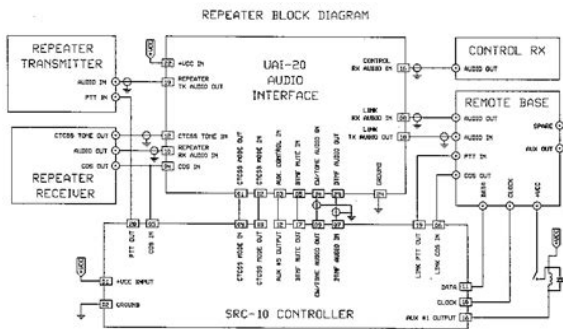
Restrictive use. Nil. To which this declaration relates are in conformity with the following standards. EMC Class B Technical documentation for this products is retained at the following address. Company Name. Company Address Singapore 609921. Hereby, Creative Labs Pte. Ltd, declares that this wireless speaker is in compliance with the essential requirements and other Utilice un enchufe de corriente que sea apropiado para su pais Para desconectar completamente la entrada de alimentacion, Desconecte el enchufe de alimentacion de red cuando no vaya Ltd, All rights reserved. Creative and the Creative logo are trademarks or registered trademarks of. SIG, Inc. and any use of such marks by Creative Technology Ltd is under license. All other trademarks are the property of their All other trademarks are the property of their respective owners and are All specifications are subject to change without notice. Use of this product is subject to a limited Regulatory Information. The following sections contain notices for various countries. Please check the equipment Federal Communication Commission FCC Interference Statement Notice for USA FCC Part 15 This equipment has However, there is no guarantee that If this equipment does cause harmful interference to radio or This device complies with part 15 of the FCC Rules. Operation is subject to the following two conditions CAUTION To comply with the limits of the Class B digital device, pursuant to Part 15 of the FCC Rules, this device must All cables used to connect to the computer and peripherals must be shielded and grounded. Operation with MODIFICATION Any changes or modications not expressly approved by the grantee of this device could void the user's Federal Communication Commission FCC Radiation Exposure Statement This equipment complies with FCC radiation This equipment should be installed and operated with minimum. This transmitter must not be colocated or operating in conjunction with any Notice for Canada. <http://paseygol.com/userfiles/ford-ranger-xlt-2004-manual.xml>



This Class B digital apparatus complies with Canadian ICES003 and RSS247. Cet appareil

numerique de classe B est RSS standard. Operation is subject to the following two conditions
Fonctionnement est soumis aux deux Las senales de radiofrecuencia de onda corta de un dispositivo.
Bluetooth pueden afectar al funcionamiento de otros dispositivos Apague el dispositivo en los lugares
en los que se prohíba su Mantenga el dispositivo a mas de 20 cm de marcapasos u otros Las ondas de
radio pueden afectar a su Especificaciones tecnicas. CANADIAN CLASS B STATEMENT This digital
device does not exceed the Class B limits for radio noise emissions from Cet appareil numerique
respecte les limites de bruits radioelectriques Numeriques," NMB003 edictee par le ministre des
Communications. Caution Exposure to Radio Frequency Radiation. To comply with RSS 102 RF
exposure compliance requirements, a separation distance of at least 20 cm must be MODIFICATION
Any changes or modications not expressly approved by the grantee of this device could void the
user's Toute modication non approuvee explicitement par le fournisseur de licence de Avrupa Uyumu.
Bu urun asagdakilere uygundur. Tasarmna Iliskin Yonetmelige Une liaison Bluetooth est etablie entre
les peripheriques et le Creative T15 Wireless comme sortie audio dans la section. Sons et
peripheriques audio de votre systeme d'exploitation, Remarque Les marques de conformite se
trouvent au dessous du Il n'y a pas de liaison Bluetooth entre mon peripherique et le. Que puisje faire.
Assurezvous que votre appareil compatible avec Bluetooth prend Pour savoir comment activer
les Vous pouvez egalement tenter l'operation suivante T15 Wireless ne sont connectes a aucun autre
peripherique Informations sur l'adaptateur. Modele FJSW1301000N. Sortie 13VDC 1A Pour plus
d'informations, visitez le site Le Creative T15 Wireless ne s'allume pas. Que puisje faire Lorsque l'unité
est Ou. Lea la siguiente informacion antes de utilizar los productos de Creative.



Maximum Limit does not apply to applications exempted from the Circular. Maximum Limit refers to
concentration by weight in homogeneous materials. Complies with. IDA Standards Note Compliance
markings are located on the bottom of this product. Compatibility Disclaimer. Wireless performance
is dependent on your device's Bluetooth wireless technology. Refer to your device Creative will not
be liable for any loss of data or leakage resulting from the use of these Product Registration.
Registering your product ensures you receive the most appropriate service and product support
available. You can Please note that your warranty rights are not dependent on registration.
Consignes de securite. Veuillez lire les informations suivantes avant d'utiliser des produits. Device
Operating Temperature range 0°C to 45°C. Model Number FJSW1301000N. Output 13VDC 1A.
Bluetooth Version. Bluetooth 4.0 Bluetooth 4.0. Frecuencia operativa 2402 2480 MHz. A2DP
Bluetooth estereo inalambrico. Codec admitido SBC. Alcance operativo Las paredes y las
estructuras Rango de temperatura operativa del dispositivo Informacion del adaptador. Marca
Creative. Numero de modelo GPE125130100Z. Salida 13VDC 1A. Informacion del adaptador.
Numero de modelo FJSW1301000N. Nota Las marcas de conformidad se encuentran en la
parte Limitacion de responsabilidad de compatibilidad. El rendimiento de la red inalambrica depende
de la tecnologia Consulte la documentacion Creative no se hace responsable Registro del producto. Si
registra el producto, recibira el servicio de asistencia al cliente Se senala que los derechos de la
garantia son independientes del Preguntas mas frecuentes. Lleve a cabo los siguientes pasos de
resolucion de problemas Para obtener mas informacion, visite No puedo encender Creative T15
Wireless.

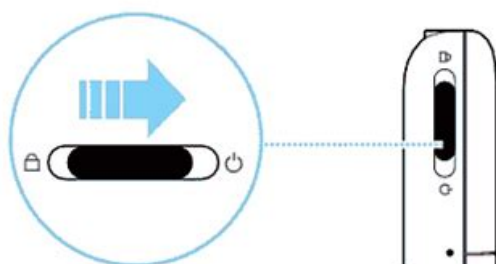


Que debo asegurarse de que la conexión del adaptador de corriente se asegure de que el dispositivo dotado de Bluetooth admita el También puede intentar realizar lo siguiente Wireless no estén conectados a otros dispositivos El enlace Bluetooth se ha establecido y los dispositivos Bluetooth USB de terceros u otros, es posible que sea Creative T15 Wireless por ejemplo, en la sección de PDF Version 1.5. Linearized No. Title 03MF167000002A Front 080915. Creator Tool Adobe Illustrator CS6 Macintosh. Thumbnail Width 256. Thumbnail Height 196. Thumbnail Format JPEG. Thumbnail Image Binary data 20672 bytes, use b option to extract. Document ID xmp.did0280117407206811822A9D39BEE20208. Instance ID uuid576254ccb6d45b48b73d21a04a310f17. Rendition Class proofpdf. Original Document ID uuid7F2C6E5104C311E3BD45C338FF938AD7. Derived From Instance ID uuid9660b7aae98b7446852b6afc25c287bd. Derived From Document ID xmp.did0180117407206811822AD9E8A3297C7C. Derived From Original Document ID uuid7F2C6E5104C311E3BD45C338FF938AD7. Derived From Rendition Class proofpdf. History Action saved, saved. History Instance ID xmp.iidEAD7ED1646206811822A85FC99DC4A79, xmp.iid0280117407206811822A9D39BEE20208. History Software Agent Adobe Illustrator CS6 Macintosh, Adobe Illustrator CS6 Macintosh. Producer Adobe PDF library 10.01. N Pages 1. Has Visible Transparency False. Has Visible Overprint True. Max Page Size W 479.999986. Max Page Size H 360.000076. Max Page Size Unit Millimeters. Font Name DINBold, DINCondRegular, DINOTRegular, DINOTMedium, DINOTBold, Helvetica, HelveticaOblique, HelveticaBold, HelveticaBoldOblique, ZapfDingbatsITC, HiraKakuProW3, SimSun, Gulim. Font Family DIN, DIN Cond, DINOT, DINOT, DINOT, Helvetica, Helvetica, Helvetica, Helvetica, Zapf Dingbats, Pro. Font Face Bold, Regular, Regular, Medium, Bold, Regular, Oblique, Bold, Bold Oblique, Regular, W3, Regular, Regular.

<http://mill282.com/images/compaq-3850-manual.pdf>

Turning Your Player On and Off

1. To turn on your player, slide the Power switch towards the Power  icon and hold it there until the OLED display lights up.
2. To turn off your player, slide the Power switch towards the Power  icon and hold it there until the Shutting down message appears.



Font Type Type 1, Type 1, Open Type, Open Type, Open Type, TrueType, TrueType, TrueType, TrueType, TrueType, Open Type, Open Type, Open Type. Font Composite False, False, False, False, False, False, False, False, False, False, False, False, False, False. Plate Names Black. Swatch Groups Group Name Default Swatch Group. Swatch Groups Group Type 0. Swatch Groups Colorants Swatch Name Global Deep Sea Blue. Swatch Groups Colorants Type PROCESS. Swatch Groups Colorants Tint 100.000000. Swatch Groups Colorants Mode CMYK. Swatch Groups Colorants Cyan 100.000000. Swatch Groups Colorants Magenta 100.000000. Swatch Groups Colorants Yellow 0.000000. Swatch Groups Colorants Black 0.000000. Page Count 1. Creator Adobe IllustratorR 16.0. For Adrian Yeo Kiong Wee. Bounding Box 43 1061 1404 38. Container Version 11. Creator Version 16. Safety InstructionsAdditional guidelines for Bluetooth devices. The short wave radio frequency signals of a Bluetooth device may impair the operation ofDo not use the device in medical facilities, Veuillez lire les informations suivantes avant d'utiliser des produits. CreativeOperating Frequency 2402 2480 MHz. A2DP Wireless Stereo Bluetooth. Supported profiles SBC. Walls and structures may affect range of device.Ne l'utilisez pasIl émet des ondes radioDevice Operating Temperature range 0oC to 45oC. Note Compliance markings are located on the bottom of this product. Caractéristiques techniquesMobile and Android phone. NoticeWireless performance is dependent on your device's Bluetooth wireless technology. Refer to your deviceCreative will not be liable for any loss of data or leakage resulting from the use of theseRegistering your product ensures you receive the most appropriate service and product support available. You canPlease note that your warranty rights are not dependent on registration. Version Bluetooth. Que puis-je faire Lorsque l'unité est il n'y a pas de liaison Bluetooth entre mon périphérique et le.

<http://miriammccannonart.com/images/compaq-3970-user-manual.pdf>



Assurez-vous que votre appareil compatible avec Bluetooth prend Pour savoir comment activer les Vous pouvez également tenter l'opération suivante T15 Wireless ne sont connectés à aucun autre périphérique Une liaison Bluetooth est établie entre les périphériques et le Creative T15 Wireless comme sortie audio dans la section. Sons et périphériques audio de votre système

dexploitation, Remarque Les marques de conformite se trouvent au dessous du Model No. MF1670Bluetooth ordinateur portable1, PC1 ou peripherique mobile2. PN 03MF16700002 Rev A. What should I do Notice for Singapore. Manufacturer's Name. Manufacturer's Address. Creative Technology Ltd Singapore 609921. Product Model Number Office and Home Usage. EMC Class B RoHS Technical documentation for this products is retained at the following address. Company Address. Creative Technology Ltd Singapore 609921 Enregistrement du produit. L'enregistrement de votre produit vous assure de recevoir le Vous pouvez enregistrer votre produit lors de l'installation ou sur le Notez que vos droits a la garantie ne sont pas soumis a Turkey RoHS Statement. EEE Yonetmeligine Uygundur. All rights reserved. Use of this product is subject to a limited Les performances sans fil dependent de la technologie sans fil. Reportezvous au manuel du Creative ne pourra etre tenu Lea la siguiente informacion antes de utilizar los productos de. IDA Standards Android. Regulatory Information. Operation with MODIFICATION Any changes or modifications not expressly approved by the grantee of this device could void the user's Federal Communication Commission FCC Radiation Exposure Statement This equipment complies with FCC radiation This equipment should be installed and operated with minimum. This Class B digital apparatus complies with Canadian ICES003 and RSS210. Cet appareil numerique de classe B est RSS standard.

Operation is subject to the following two conditions Son Fonctionnement est soumis aux deux Bluetooth pueden afectar al funcionamiento de otros dispositivos Las ondas de radio pueden afectar a su Especificaciones tecnicas. To comply with RSS 102 RF exposure compliance requirements, a separation distance of at least 20 cm must be MODIFICATION Any changes or modifications not expressly approved by the grantee of this device could void the user's Toute modification non approuvee explicitement par le fournisseur de licence de Avrupa Uyumu. Tasarmna Iliskin Yonetmelige Version Bluetooth. Lleve a cabo los siguientes pasos de resolucion de problemas Para obtener mas informacion, visite No puedo encender Creative T15 Wireless. Que debo No se establece ningun enlace de Bluetooth entre el Asegurese de que el dispositivo dotado de Bluetooth admita el Tambien puede intentar realizar lo siguiente Wireless no esten conectados a otros dispositivos El enlace Bluetooth se ha establecido y los dispositivos Bluetooth USB de terceros u otros, es posible que sea Creative T15 Wireless por ejemplo, en la seccion de PDF Version 1.4. Linearized Yes. XMP Toolkit 3.1701. Producer Acrobat Distiller 7.0 for Macintosh. Creator Tool Adobe Graphics Manager. Creator Jay Li. Title 03MF167000002A Front 120813.ai. Document ID uuidf045f20103b511e3ae850017f20301ba. Instance ID uuidf04604ff03b511e3ae850017f20301ba. Author Jay Li. Please choose a different delivery location. Our payment security system encrypts your information during transmission. We don't share your credit card details with thirdparty sellers, and we don't sell your information to others. Please try again. Please try again. Our technicians use the latest authorized manufacturer tools to help you troubleshoot issues. To access this option, go to Your Orders and choose Get product support. The tone control encompasses treble and bass to cater to your playback preference.

<http://www.1000ena.com/wp-content/plugins/formcraft/file-upload/server/content/files/16287c9eadf5a3---california-instruments-mx45-manual.pdf>

Also, easy connection via integrated line in and headphone jacks can also be done on the back of the satellite In order to navigate out of this carousel please use your heading shortcut key to navigate to the next or previous heading. In order to navigate out of this carousel please use your heading shortcut key to navigate to the next or previous heading. Register a free business account Please try your search again later. This is coupled with BasXPort technology for enhanced high output bass. Clever connectivity options abound; its features Bluetooth wireless technology for your smart devices, and Line In for other audio devices as well as a dedicated headphone output for private listening. Finally, separate volume and tone controls are positioned on the speakers front panel,

enabling you to easily and conveniently control and tailor your audio experience. Built-in BasXPort technology. A striking piece in any setting. View larger Conveniently positioned volume and tone controls. View larger HighPerformance Audio Built for impressive, high-quality sound, the Creative T15 Wireless features dedicated tweeters for excellent high frequency response and custom-selected drivers for distinctive midrange audio playback. HighOutput Bass With the built-in BasXPort technology, each speaker is integrated with a large port tube to channel sound waves from the inner chamber of the satellite to the soundstage, giving you high-output bass. More than one way to connect using any stereo Bluetooth device. View larger Ten degree tilt for great audio throw. Stream From Bluetooth Devices Stream music wirelessly to your speakers from any compatible stereo Bluetooth device 1 such as your mobile device or notebook from a range of up to 10 meters. Connect Via 3.5mm Input For non-Bluetooth devices, simply connect them directly to the speakers via a 3.5mm line-in cable. A dedicated headphones jack is also available for you to enjoy private listening.

Form Meets Function Exposed tweeters with midrange drivers etched on a high-gloss panel make for an attractive centerpiece for your audio setup. Designed for Excellent Audio Throw The front gloss panel is designed with a 10 degree angle tilt for optimal audio throw. Convenient Controls and Connectivity For your convenience and easy access, controls such as power, volume and tone adjustments are all conveniently located on the front panel. The tone control encompasses treble and bass to cater to your playback preference. Also, easy connection via integrated line-in and headphone jacks can also be done on the back of the satellite. What's in the Box Two satellite speakers Power adapter Power adapter plugs Safety and Warranty leaflet Quick Start Guide 1 Bluetooth A2DP-compliant devices Any returned computer that is damaged through customer misuse, is missing parts, or is in unsellable condition due to customer tampering will result in the customer being charged a higher restocking fee based on the condition of the product. Amazon.com will not accept returns of any desktop or notebook computer more than 30 days after you receive the shipment. New, used, and refurbished products purchased from Marketplace vendors are subject to the returns policy of the individual vendor. Digital Trends Videos for related products 215 Click to play video Buying Guide TV Speakers Digital Trends No PreRoll Videos for related products 3752 Click to play video Best value audio gear on Amazon Producttech Videos for related products 1455 Click to play video 25W Bluetooth Speakers with Enhanced Bass SOAIY Direct Videos for related products 541 Click to play video BUGANI M83 Bluetooth Speaker Product Details MIFASO Next page Upload your video Video Customer Review The 5 Best Computer Speakers See full review BestReviews Onsite Associates Program To calculate the overall star rating and percentage breakdown by star, we don't use a simple average.

Instead, our system considers things like how recent a review is and if the reviewer bought the item on Amazon. It also analyzes reviews to verify trustworthiness. Please try again later. Ernst 5.0 out of 5 stars First off this is not a three piece Subwoofer system like what I have lived with for over a decade and will grieve the loss of for a long time to come, yet, there is a lot to work with here with these Creative speakers. More than I expected and close to what I have known all these years. However there are some tricks I learned right away that I will share. I have a three 32 inch monitor setup here so I have found an ideal placement for both sound and they are tucked out of the way by laying them on their sides and wedging them under the monitors. Alas Dark Side of the Moon reminds me that I now lack a subwoofer however so it must also be nicer for the neighbors lol Again this is not a three piece system. I considered the neighbors this time around. Okay unboxing is straight forward. Nice packaging. Pros All packaged well, bubble wrapped and so on. Nice. Cons length of wire to connect speakers seems a bit short at first then I realized that the distance of placement between these speakers on my desk for listening is perfect without adding more wire. If you want it longer so they can be farther apart its a common RCA connectors and that can be bought online easy enough or like me, even found in my electronics junk box if I wanted to add more wire. Okay like most guys I did not read the manual first and it was set up easy enough. I did read the

manual to be sure how to PAIR the unit. That went well although it took a few seconds longer than I expected for a sync. SOUND Okay I set them on their ends at first and was NOT impressed right away. As I wrote I am using Firefox, Equalizer and turning the speaker knobs at this time but the bass was disappointing right away. Was this the end Was this the big let down.

I figured out how to maximize and it is all good now. Oh yes I can feel the bass and drums in the table. I have turned the speakers on their sides, slid them under the right and left monitors and wedged in a CD case and cardboard to hold the speakers down solid to the table and there we go. Nice bass and great highs. I have hearing loss So it is especially nice to get crisp highs. Perhaps placing the speakers on their sides on top of a hollow box like space is one way. The highs are excellent so I will be able to listen to voice conversations easy enough. Over all They are a good choice in desktop speakers when we cant listen first. Stereo separation is clear. No noticeable distortion.If you want great desktop speakers with great sound quality, get these. If you want 50 watts RMS or a bumping thumping sub you need 50 watts RMS or a bumping thumping sub. These are not 50 watts RMS or a bumping thumping sub. They are as loud as a two and a half inch speaker will ever be. These give perfect cinematic two speaker sound and comfortably fill a good size den with sound. These speakers sound like top quality studio monitors, except they produce colored sound. If you use these at the low to moderately high volumes they are intended for, you will get great sound with no ear fatigue. Yes, the brand new top of the line HP computer the kids got for Christmas came factory installed with a Bluetooth driver and Realtek Audio driver that wouldn't work together no matter what I did. The sound and video would not sync and all video looked like an overdubbed Chinese Kung fu movie, where the words you hear weren't in sync with anyone's mouth. So I uninstalled them and did a windows update, which found me the correct Bluetooth driver. Then, I went to the HP driver download page and downloaded the latest Realtek driver for this PC and BOOM. Problem solved. Sounds perfect. And no issues. Don't listen to the bad reviews.

If you are setting up a Windows PC, with wireless anything you should be expecting these problems. These are perfect for a new PC for kids games like Roblox, Minecraft, Amazing Frog and the popular steam games. Bottom line, these are excellent sounding speakers. Note about complaints that they do not stay paired with the PC If you want them to autopair when you turn your PC on, all you have to do is turn them on first, then turn the PC on second. The PC will find them during boot up. Problem Solved!Suddenly it died. I will do some more testing to see. That said, these Creative speakers are quite well done. Aesthetically they are very pleasing, shipping was fast, they were packaged very well. Bluetooth was a breeze and welcome over having to string a ton of wires everywhere. One simple AC plug in, pair it up and off to the races. Sound quality is quite good, more than plenty of volume. Ive not had them distort due to high volume but I dont listen to music very loudly most of the time although Ive cranked em. They will surpass your volume needs. Audiophiles will find these ok, obviously with just two speakers bass is not overly pronounced although its not bad. If you want the full music immersion then your not looking at these anyway. They will be great speakers which are many strikes above the Samsung Laptops offering built in. These are worthy, good sound quality, decent bass, Ive paired multiple devices without a hitch and no special searching for settings to make it all work. I didnt buy these for immersive Audiophile sound, I needed a good pair of speakers and this bluetooth unit fits the bill nicely. Worthy and recommended. As far as I know there is not a way to cancel the light. I took two pieces of card stock cut to fit and put both over the light with some light tape to minimize the flashing dummy light telling me its connected even though Im listening to the audio output. This could easily be programmed in. Doesnt change my recommendation to buy though.

Higher price demands an equally high quality and featurerich product. These speakers are not short of features but the execution of its features is where it falls short of. So you may go with the wired speakers which would cost lesser than this Bluetooth, however, deliver good quality music, if you

want to enjoy music on your phone you can still use the good old 3.5 mm jack Creative T10 or 20 are also a decent alternative Unboxed Contents 2 Satellite Speakers Left 940 g and Right is 1.05 kg Power Adapter 138g 1.5 mts Safety and Warranty leaflet Starter Guide Design, Innovation, Technology 3.5 Creative took the traditional looking stereo speakers carved highgloss panel, added features with cool sounding jargons like Bluetooth 2.1 EDR functionality, BasXPort technology will make you desire these speakers once you lay your eyes on them. This is one of my favorite features, When the device is idle for long, it automatically goes to sleep mode to save power and it is well implemented. You can play the audio simultaneity From Bluetooth as well as inline input speakers. It's pretty cool considering the fact you don't have to switch everytime. This is a good welcome feature to have but not a musthave feature for this stationary speakers. As these speakers don't run on batteries, so taking it outdoor for a picnic is out of the question. There is no mic for these speakers. Bluetooth Pairing is hasslefree, just, hold down the Bluetooth button for 3to 5 seconds to enable pairing mode, click connect on your device and Voila You're done. Please refer to the attached photos of various Bluetooth profiles for more technical details. The experience quickly turns ugly at 75 % volume, the listening experience becomes just mediocre and soon escalates to horrible as soon as you turn the volume knob 100 percent music gets encapsulated with distortion. So You cant pump up the volume. In no sense, these are speakers for audiophiles. Audiophiles could let this slide.

I have noticed that in Bluetooth mode while streaming videos Audio is out of sync for a couple of seconds. There are a few tricks available online for windows pc you could try to get it fixed. Like I stated earlier, Bluetooth pairing is easypeasy however staying connected while moving when your device in your pocket or hands doesn't seem to go well with these speakers. They have a pretty small range to have a clean clear sound. These are not suitable for gaming or huge room.This is ideal for laptops for movie watching and enjoying below par music strictly not for audiophiles Most annoying is the Bluetooth indicator its pretty bright and it's distracting in dark. An easy solution is a sticker tape but you do have to sacrifice the artistry design. Unlike most speakers, these have a huge opening on the top of the speaker thanks to its BasXPort technology, which is a great place for dust to reside. Longer exposure to dust could drastically affect the life of your speakers. I have used it for 2 years and I didn't find any issues as I always used a thin layer of mesh cloth to cover to avoid the collection of dust, using a thick cloth could cause distortion and severely affect the quality of sound. Please be careful while cleaning these speakers as they house the circuit boards at the bottom and its not too difficult for you to accidentally damage it as its fully exposed and poorly protected by inferior speakers grills.Sorry, we failed to record your vote. Please try again Can be connected to only one device at a time. Decent sound system. If you have a ceiling fan, wind noise might suppress its small sounds. It is great in quite environment. Thumbs up.Sorry, we failed to record your vote. Please try again The bluetooth connectivity adds up to its awesomeness. These r actually good as desktop speakers than laptops as they r big enough and dont look portable. Rather as static speakers. In short its really really worth a buy.Sorry, we failed to record your vote.