



File Name: 9130 eaton manual.pdf

Size: 4588 KB

Type: PDF, ePub, eBook

Category: Book

Uploaded: 4 May 2019, 15:54 PM

Rating: 4.6/5 from 560 votes.

Status: AVAILABLE

Last checked: 7 Minutes ago!

In order to read or download 9130 eaton manual ebook, you need to create a FREE account.

[**Download Now!**](#)

eBook includes PDF, ePub and Kindle version

[Register a free 1 month Trial Account.](#)

[Download as many books as you like \(Personal use\)](#)

[Cancel the membership at any time if not satisfied.](#)

[Join Over 80000 Happy Readers](#)

Book Descriptions:

We have made it easy for you to find a PDF Ebooks without any digging. And by having access to our ebooks online or by storing it on your computer, you have convenient answers with 9130 eaton manual . To get started finding 9130 eaton manual , you are right to find our website which has a comprehensive collection of manuals listed.

Our library is the biggest of these that have literally hundreds of thousands of different products represented.



Book Descriptions:

9130 eaton manual



Page 8 UPSEN 2. A small amount of arcing may occur when connecting an EBM to the UPS. This is normal and will not harm personnel. Insert the EBM cable into the UPS battery connector quickly and firmly. Page 13 UPSEN ENGLISH 3. Verify that the total equipment ratings do not exceed the UPS capacity to prevent an overload alarm. Verify that the internal batteries are connected. Page 14 UPSEN 4. Operation This chapter contains information on how to use the Eaton, including front panel operation, operating modes, UPS startup and shutdown, transferring the UPS between modes, retrieving the Event Log, setting the power strategy, and configuring bypass settings, load segments, and battery settings. Page 15 UPSEN ENGLISH 4. Operation The table 4 shows the basic menu structure. Page 18 UPSEN 4. Page 19 UPSEN ENGLISH 4. Press any button to activate the menu options, then select EVENT LOG. Scroll through the listed events. Page 20 UPSEN 4. Configuring the UPS for EBMs To ensure maximum battery runtime, configure the UPS for the correct number of EBMs Page 21 UPSEN ENGLISH 5. Communication This section describes the Page 22 UPSEN 5. Communication RS and USB Communication Ports To establish communication between the UPS and a computer, connect your computer to one of the UPS communication ports using an appropriate communication cable. Page 23 UPSEN ENGLISH 5. Communication The RPO circuit is an IEC safety extra low voltage SELV circuit. This circuit must be separated from any hazardous voltage circuits by reinforced insulation. The RPO must not be connected to any utility connected circuits. Page 24 UPSEN 5. Communication The table 10 shows the options for the relay output contacts. Page 25 UPSEN ENGLISH 5. Page 26 UPSEN 6. UPS Maintenance This section explains how to Care for the UPS and batteries | Replace the UPS internal batteries and Extended Battery Modules EBMs | Test new batteries | Recycle used batteries or UPS | 6. Page 27 UPSEN ENGLISH 6. <http://www.tienhung.com.vn/userfiles/encad-t200-service-manual.xml>

- **9130 eaton manual, eaton 9130 manual pdf, eaton 9130 manual english, eaton 9130, eaton 9130, eaton 9130, eaton 9130, 9130 eaton ups manual, eaton 9130, eaton 9130, 9130 eaton manual, 9130 eaton manual pdf, 9130 eaton manual download, 9130 eaton manual instructions, 9130 eaton manual transmission, eaton powerware 9130 manual, eaton 9130 manual, eaton 9130 manual pdf, 9130 eaton ups manual.**



UPS Maintenance Servicing should be performed by qualified service personnel knowledgeable of batteries and | required precautions. Keep unauthorized personnel away from batteries. Batteries can present a risk of electrical shock or burn from high short circuit current. Page 28 UPSEN 6. UPS

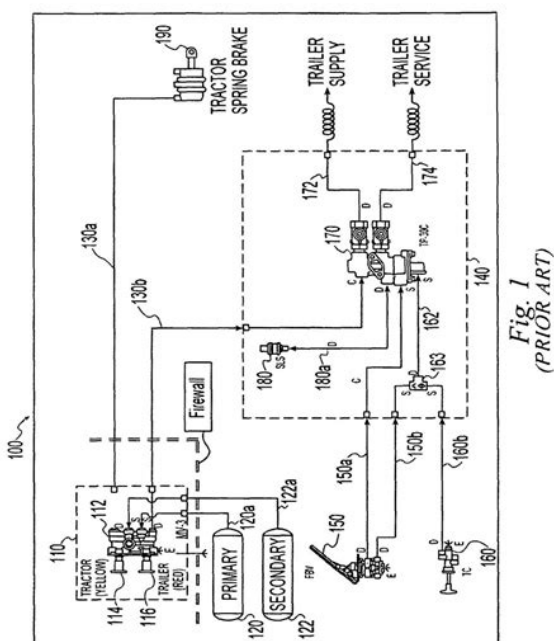
Maintenance Figure Disconnecting the UPS internal batteries. Disconnect one of the 4 battery trays. Remove the plastic protection above the connector and disconnect the battery tray see figure Page 29 UPSEN ENGLISH 6. Slide the new battery package into the cabinet. Push the battery package in firmly. Screw the metal part to fix the battery tray. Make sure main internal battery connector is disconnected. Page 30 UPSEN 6. Do not dispose of the battery or batteries in a fire. Page 31 UPSEN ENGLISH 7. Communication options | Model lists | Weights and dimensions | Electrical input and output | Environmental and safety | Battery | Table Page 32 UPSEN 7. Page 33 UPSEN ENGLISH 7. Environmental and Safety Surge Suppression EN EN, Level 3 EN, Level 3 EN, Level 3 also on signal ports EN, Level 3 Criteria A IEEE C Page 34 UPSEN 8. Troubleshooting The Eaton is designed for durable, automatic operation and also alerts you whenever potential operating problems may occur. Usually the alarms shown by the control panel do not mean that the output power is affected. Page 35 UPSEN ENGLISH 8. Remove some of the equipment from the UPS. The UPS continues to operate, but may switch to Bypass mode or shut down if the load increases. Page 36 UPSEN 8. Check the alarm condition and perform the applicable action to resolve the condition. Reload to refresh your session. Reload to refresh your session. FCC Part 15. NOTE This equipment has been tested. Pagina 3 Class B EMC Statements Pagina 4 Requesting a Declaration of Conformity. Units that are labeled with a CE mark comply with the following harmonized standards. <http://www.celte-29-31.fr/userfiles/encad-service-manual.xml>



Pagina 5 Table of Contents Pagina 10 INTRODUCTION Pagina 12 SAFETY WARNINGS Pagina 15 SAFETY WARNINGS Pagina 16 SAFETY WARNINGS Der USVAusgang kann Spannung fuhren, auch. Pagina 18 SAFETY WARNINGS Tutte le operazioni Viktig Sikkerhetsinformasjon Pagina 20 SAFETY WARNINGS. Regulamentos de Seguranca Pagina 21 SAFETY WARNINGS. Iaaioiaaiey ii iaai aaciianiioe Pagina 24 SAFETY WARNINGS Pagina 25 Chapter 3 Installation Chapter 3 Installation Removing the cabinet from its carton requires a. Pagina 29 INSTALLATION Pagina 30 INSTALLATION Do not pull on the cable Pagina 35 INSTALLATION This is normal Pagina 38 INSTALLATION This is normal Pagina 41 INSTALLATION. Remove cable retention clip. Plug in EBM cable. Rotate clip. Reinstall cable retention Pagina 43 INSTALLATION Pagina 44 INSTALLATION Pagina 46 OPERATION Table 1. Indicator Descriptions. Indicator Status Description Table 2. Menu Map for Display Functions. Main Menu Submenu Display. Pagina 48 OPERATION Table 3. User Settings. Pagina 49 OPERATION. Table 3. User Settings continued. Description Available Settings Default Setting Table 3. User Settings continued. Description Available Settings Default Setting. Remote Emergency. Pagina 52 OPERATION Pagina 53 OPERATION Pagina 56 OPERATION Pagina 57 OPERATION For "Always on UPS. Pagina 58 OPERATION Pagina 59 OPERATION Pagina 61 Chapter 5 Communication Chapter 5 Communication Pagina 62 COMMUNICATION Pagina 63 COMMUNICATION The software polls. Pagina 64 COMMUNICATION Pagina 65 COMMUNICATION Pagina 66 COMMUNICATION Pagina 68

COMMUNICATION Pagina 69 Chapter 6 UPS Maintenance Chapter 6 UPS Maintenance Pagina 71
 UPS MAINTENANCE Released electrolyte is harmful to the Pagina 73 UPS MAINTENANCE Pagina 74
 UPS MAINTENANCE Use caution when. Pagina 75 UPS MAINTENANCE Pagina 76 UPS
 MAINTENANCE Pagina 77 UPS MAINTENANCE Lifting the cabinet into the rack. Pagina 78 UPS
 MAINTENANCE Pagina 79 UPS MAINTENANCE Pagina 80 UPS MAINTENANCE Pagina 81 UPS
 MAINTENANCE Table 10. UPS Model List Rackmount Models. Model Power Level Rear Panel
 Diagram.

Pagina 85 SPECIFICATIONS. Table 11. UPS Model List Tower Models. Pagina 86 SPECIFICATIONS.
 Table 12. Weights and Dimensions Rackmount Models. Model Rackmount UPS Dimensions H W D
 Weight. PW9130L700RXL2U 86.5 438 430. Pagina 87 SPECIFICATIONS. Table 13. Weights and
 Dimensions Tower Models Pagina 88 SPECIFICATIONS. Table 15. Electrical Input Rackmount
 Models Table 16. Electrical Input Tower Models Pagina 90 SPECIFICATIONS. Table 17. Electrical
 Input Connections Rackmount Models Table 18. Electrical Input Connections Tower Models Table 19.
 Electrical Output All Models Pagina 93 SPECIFICATIONS. Table 20. Electrical Output Connections
 Rackmount Models. Model Output Connections Output Cables. PW9130L700RXL2U 6 515R
 None Table 21. Electrical Output Connections Tower Models Table 22. Environmental and Safety All
 Models. Surge Suppression ANSI C62.41 Category. Pagina 96 SPECIFICATIONS. Table 23. Battery
 Runtimes in Minutes at 100% Load Rack Models. Table 24. Battery Runtimes in Minutes at 100%
 Load Tower Models. Pagina 98 SPECIFICATIONS. Table 25. Battery Pagina 99
 SPECIFICATIONS Receptacles in Load Figure 43. Model PW9130L700TXL Figure 44. Model
 PW9130L1000TXL. Figure 45. Model PW9130L1500TXL Figure 46. Model PW9130L2000TXL Model
 PW9130G1000TXL Model PW9130G3000TXL. Figure 51. Model PW9130i700TXL Figure 52. Model
 PW9130G1000TXLEU and Figure 53. Model PW9130i1500TXL Figure 54. Models
 PW9130G2000TXLEU. Pagina 106 SPECIFICATIONS Model PW9130G700TXLAU Model
 PW9130G1500TXLAU Figure 59. Model PW9130G2000TXLAU Figure 60. Model
 PW9130G3000TXLAU. Pagina 108 SPECIFICATIONS Pagina 111 TROUBLESHOOTING. Alarm or
 Condition Possible Cause Action. Overload Power requirements exceed the Remove some of the
 equipment from the. Pagina 112 TROUBLESHOOTING. The UPS does not start. The power cord is
 not Check the power. Pagina 113 TROUBLESHOOTING Pagina 116 WARRANTY.



<https://formations.fondationmironroyer.com/en/node/11337>

WHAT THIS LIMITED WARRANTY DOES NOT COVER This Warranty does not cover any defects or damages COSTS NOT RELATED TO WARRANTY The EndUser shall be invoiced for, and shall pay for, all services not. Pagina 118 WARRANTY. WHAT THIS LIMITED WARRANTY DOES NOT COVER This Warranty does not cover any defects or damages OTHER LIMITATIONS Companys obligations under this Warranty are expressly conditioned upon receipt by. Company of all payments due. Pagina 120 WARRANTY. WHAT THIS GUARANTY DOES NOT COVER Any reimbursement or repair to EndUsers equipment does not. Disclaimer Sedo maintains no relationship with third party advertisers. Reference to any specific service or trade mark is not controlled by Sedo nor does it constitute or imply its association, endorsement or recommendation.

<http://emserchoachi.com/images/canon-mp280-scanner-manual.pdf>



<http://emphatigsolutions.com/images/canon-mp500-owners-manual.pdf>



<https://www.revistadefiesta.com/wp-content/plugins/formcraft/file-upload/server/content/files/1627f08824605a---brother-t72-manual.pdf>

<https://congviendis.vn/vi/bose-ub-20-manual>