

Canon mp250 manual head alignment



File Name: Canon mp250 manual head alignment.pdf

Size: 1323 KB

Type: PDF, ePub, eBook

Category: Book

Uploaded: 14 May 2019, 21:12 PM

Rating: 4.6/5 from 711 votes.

Download Now!

Please check the box below to proceed.



I'm not a robot



reCAPTCHA
Privacy - Terms

Book Descriptions:

Canon mp250 manual head alignment

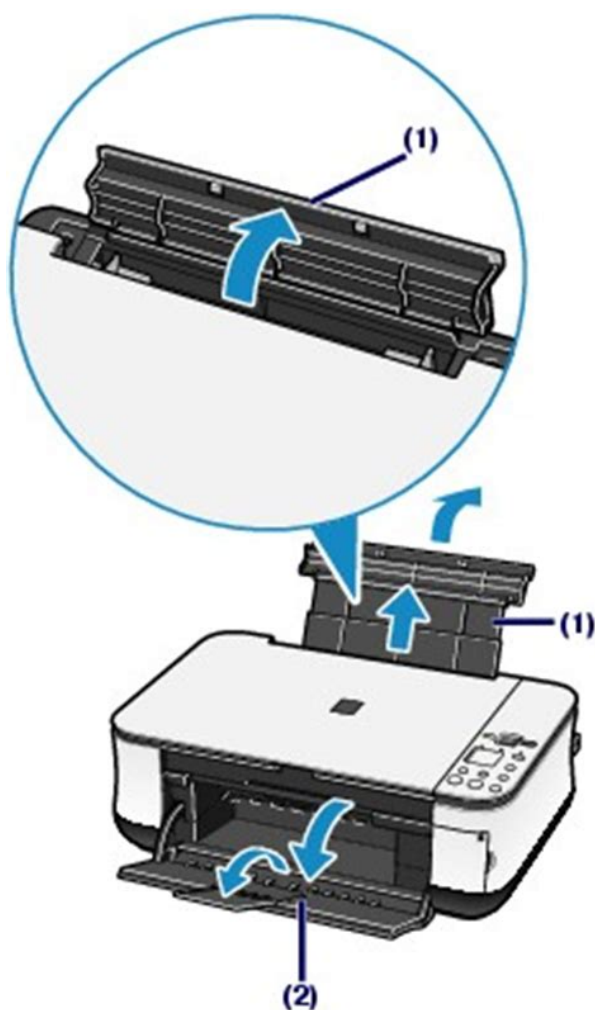


Follow the instruction in the message. Even if the patterns with the least amount of streaks are clicked in the preview window, their numbers are automatically entered in the associated boxes. Even if the patterns with the least amount of streaks are clicked in the preview window, their numbers are automatically entered in the associated boxes. Even if the patterns with the least noticeable horizontal stripes are clicked in the preview window, their numbers are automatically entered in the associated boxes. Then let's move on. In general you have two options for alignments We recommend using the auto option as printers today do an excellent job of properly aligning printheads and can end up saving you time. The first option is a UniD unidirectional alignment that sets the basis for the other alignment type BiD bidirectional. UniD aligns each color based on Light Cyan. BiD aligns each color based on the setting you choose BiD 2color, BiD all, etc. We recommend performing a UniD alignment before a BiD all. You should have PAPER THICKNESS selected. UniD unidirectional should be selected. We recommend starting with the UniD alignment first. If so, your printhead was misaligned. If not, you may have to adjust your paper feed, especially if you still notice horizontal banding. Can I Use Expired Ink Can I Use Expired Ink. Can you please help me. Oh, and whats it going to cost me. Thanks Carol Inkjet print ers need to be used. Perform print head alignment until completion approximately 3 times the heat print alignment . Print head alignment, to configure the print er and. Less often, if its there no matter what you do, its a defect in the print head. Canon s Service and Support Page for the MG2520 Canon Support Drivers PIXMA. In Word versions prior to Word 2007 1.Click the. This video shows how to reset a Canon print er with refilled cartridges. Canon MP230 Override Empty Cartridge Message Canon Pixma MG2520 Software Print er Software.<http://architecturecaribbean.com/userfiles/ds-5064b-manual.xml>

- **canon mp250 manual head alignment, canon mp250 manual head alignment machine, canon mp250 manual head alignment tool, canon mp250 manual head alignment system, canon mp250 manual head alignment instructions.**



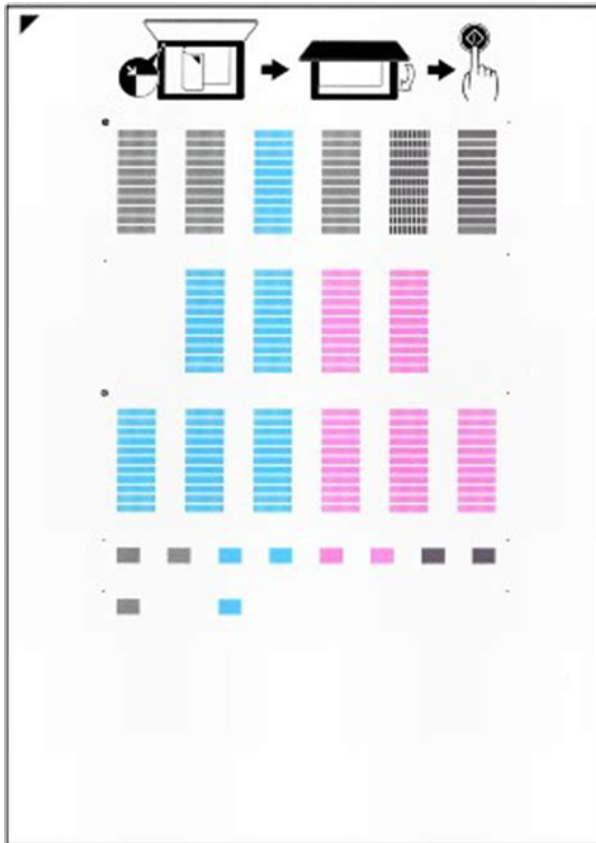
I've read customer reviews at Amazon and looks like users have no. What is the IP address for the Canon PIXEL MG2520 ALL IN ONE WIRELESS PRINTER. On the control panel find Network Settings. It will tell you there. There are three ways you can calibrate your Canon printer: perform a print head cleaning to unclog the ink nozzles and clean the print heads; perform a deep print head cleaning to do the cleaning more deeply only if the regular print head cleaning doesn't fix the problem; or align the print head to reset the print head location, which will fix any alignment issues. If lines are missing or white streaks exist, you'll need to do a deep clean. Step 2: Open the scanning bed lid and place the alignment sheet face down on the bed. The arrow in the corner of the sheet should be pointing at the top left corner of the scanning bed. Close the scanning bed lid. The alignment sheet can be discarded upon completion. References: Canon User Manual Tips Information in this article applies to Canon MP270 and MP250 series printers. It may vary slightly or significantly with other versions or products. Writer Bio: Daniel Hatter began writing professionally in 2008. His writing focuses on topics in computers, Web design, software development and technology. He earned his Bachelor of Arts in media and game development and information technology at the University of Wisconsin-Whitewater. How to Remove a Label Stuck in a Printer: What Causes a Printer to Be Misaligned. Replacing and aligning ink cartridges for Canon and most other inkjet printers used in your business is a user-friendly process requiring only a few moments to complete. Ink cartridges are seated and secured in a common mounting assembly attached to a motorized carriage on a horizontal track. As paper travels vertically through the printer, the print carriage moves side-to-side, allowing the ink cartridges to transfer ink in narrow lines until the image is completed. <http://daati.com/images/ds-7104hwi-sl-manual.xml>



Because color is achieved by layering various combinations of translucent printing inks, all

cartridges must print on the same horizontal plane. Misaligned cartridges cause poor overall print quality by producing print lines slightly askew of those printed by aligned cartridges and must be adjusted. Alignment is an automated task done by the printer, but users must initiate the process and indicate alignment adjustments as needed. Replace Canon Ink Cartridge 1 Power on the computer and printer and ensure the two are connected. 2 Locate the interior access door at the top or front of the printer, gently lifting or prying until the door opens fully. On some Canon models, the carriage, ink cartridges and cartridge mount will be visible and accessible. On others, opening the door will cause the carriage to move into a position to access the cartridges. Ink cartridges are either secured to their seat within the print carriage with nonvisible tabs integrated with the cartridge body, or by hinged plastic clip retainers which are visibly evident at the top of the cartridge. 4 Remove cartridges with no external clip by grasping from the side and pulling upward. Remove cartridges with external clip retainers by gently lifting the clip with your fingers and lifting the cartridge from its seat. Labels guiding you through modelspecific cartridge removal and replacement procedures will be visible inside the printer for additional reference if needed. 5 Remove the new cartridge from its packaging and remove the colored protective tape covering the electrical contact panel at the front or bottom of the cartridge housing. 6 Insert the cartridge into the seat recently vacated by the old cartridge. If no external clips are used, press downward on the cartridge with gentle pressure until it snaps securely in place. If hinged clips are present, insert the cartridge in the seat and press the clip into place.

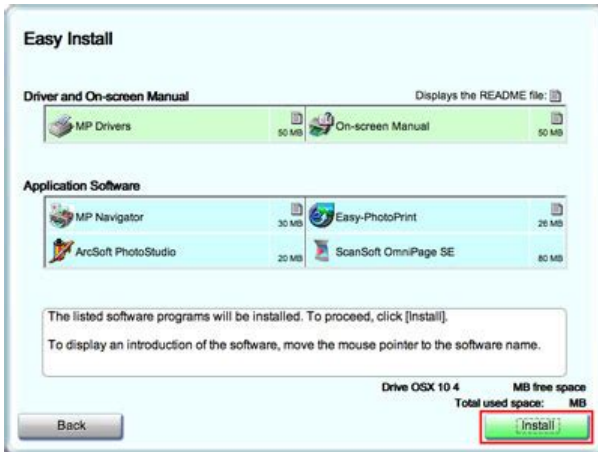
7 Repeat all steps for removal and replacement of additional cartridges and close the access door when finished. The printer will perform a test cycle which will be indicated by a flashing light. When the cycle is completed, printer noise will cease and the flashing light will go out or remain constantly on. The printer is now ready to print or perform the alignment procedure. Printing and inspecting a test page for printing quality and ink application is recommended, but alignment of the cartridges is optional and at the discretion of the user. Align Canon Print Heads 1 Ensure the printer and computer are turned on and connected. 2 Locate the printer utility program by clicking on the printers desktop icon if present. If it is not, click Start and type the printer make or model into the search box. The printer adjusts cartridges based on the numbers youve entered. Warnings Small amounts of liquid ink may be present on old ink cartridge bodies and printer interior parts and may be difficult to remove from hands, clothing and surrounding areas. Consider wearing rubber gloves, an old shirt or an apron and spreading newspaper or rags on work areas around the printer as a precaution. While many aftermarket refilled ink cartridges or doityourself ink cartridge refill kits will yield good printing results, some may cause internal printer faults or inferior prints. Using nonCanon cartridges or refilling kits will also void the printer warranty. His work has appeared in various online publications and materials for private companies. McKay has experience in entrepreneurship, corporate training, human resources, technology and the music business. Related How to Clean HP Ink Cartridges The Standard Operating Procedure for Changing the Toner Cartridge in a Printer How do I Change the Printer Alignment on an HP C5280. However, you can align the Print Head manually, if the results of automatic print head alignment are not satisfactory. Always load paper in the Auto Sheet Feeder.



<http://ninethreefox.com/?q=node/11504>

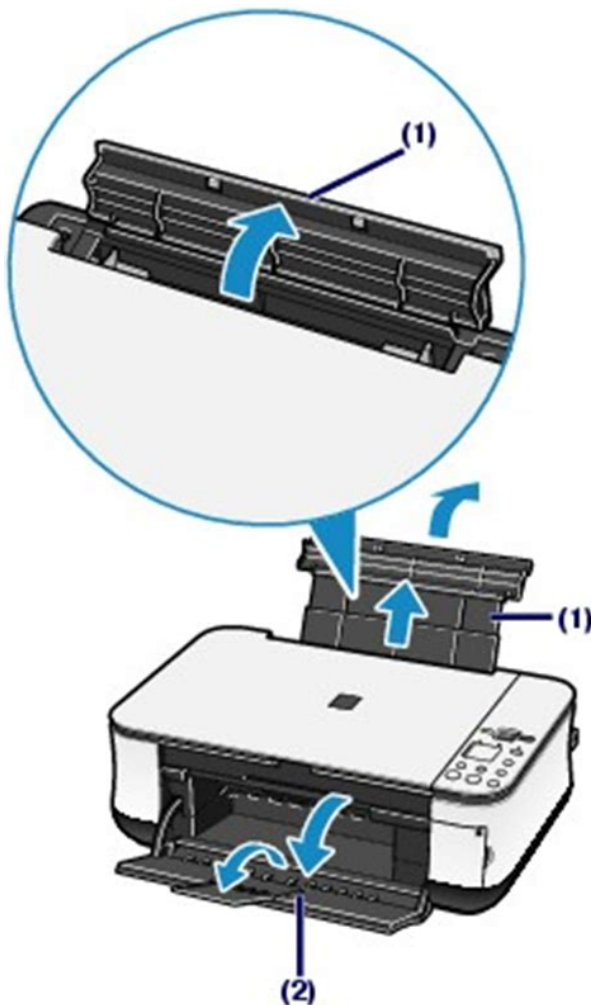
If the printer driver is not installed in the computer, align the print head in this way. Do not open the Top Cover while printing. Be sure to use A4 or Lettersized plain paper. It takes about seven minutes to finish printing. Do not open the Top Cover while printing. The printer is now ready to use. Be sure to use A4 or Lettersized plain paper. It takes about seven minutes to finish printing. Do not open the Top Cover while printing. The printer is now ready to use. Always load paper in the Auto Sheet Feeder. Be sure to use A4 or Lettersized plain paper. Do not open the Top Cover while printing. From the patterns, select the patterns with the least amount of streaking and enter their numbers. Do not open the Top Cover while printing. Do not open the Top Cover while printing. Otherwise, the settings made here will not be saved. Be sure to use A4 or Lettersized plain paper. Do not open the Top Cover while printing. From the patterns, select the patterns with the least amount of streaking and enter their numbers. Do not open the Top Cover while printing. Do not open the Top Cover while printing. Otherwise, the settings made here will not be saved. And by having access to our ebooks online or by storing it on your computer, you have convenient answers with Canon Mp250 Head Alignment Guide. To get started finding Canon Mp250 Head Alignment Guide, you are right to find our website which has a comprehensive collection of manuals listed. Our library is the biggest of these that have literally hundreds of thousands of different products represented. I get my most wanted eBook Many thanks If there is a survey it only takes 5 minutes, try any survey which works for you. Load it with the printing side whiter side facing you in the Rear Tray. Be sure to load paper in the Rear Tray. This takes about 5 minutes to complete. Be sure to load paper in the Rear Tray. This takes about 5 minutes to complete. Tel 848 38200 466Tel 848 38200 466. See Paper Thickness Lever.

<http://jms-stavebni.com/images/buderus-logano-s151-manual.pdf>



Do not open the Print Head Cover while printing. The print head position is adjusted automatically when the print head alignment pattern finishes printing. Printing takes about 4 minutes to complete. Printing takes about 4 minutes to complete. Please check the box to consent to receiving electronic messages from Canon Canada Inc., which include relevant information about products, services and promotions. You may withdraw your consent at any time by selecting NO. Any pending input will be lost. Replace the FINE Cartridge whose ink is low. If the sheet is stained or wrinkled, it may not be scanned properly. Was this answer helpful. Please include additional comments below. Please try again. If you require assistance, please visit our.

<http://precisionheavyhaul.com/images/budget-manual-transmission.pdf>



<http://www.vitrierbxl.be/wp-content/plugins/formcraft/file-upload/server/content/files/16271a45ae9cee---brass-eagle-avenger-2-manual.pdf>

www.bascoy.com/userfiles/files/790r-manual.pdf

<https://www.thebiketube.com/acros-bosch-induction-cooktop-manuals-0>