

**Canon**



**FS20/FS21/FS20/FS200  
Official Service Manual**

**File Name:** canon fs200 owners manual.pdf

**Size:** 1730 KB

**Type:** PDF, ePub, eBook

**Category:** Book

**Uploaded:** 29 May 2019, 17:39 PM

**Rating:** 4.6/5 from 614 votes.

**Status: AVAILABLE**

Last checked: 6 Minutes ago!

**In order to read or download canon fs200 owners manual ebook, you need to create a FREE account.**

**[Download Now!](#)**

eBook includes PDF, ePub and Kindle version

[Register a free 1 month Trial Account.](#)

[Download as many books as you like \(Personal use\)](#)

[Cancel the membership at any time if not satisfied.](#)

[Join Over 80000 Happy Readers](#)

**Book Descriptions:**

We have made it easy for you to find a PDF Ebooks without any digging. And by having access to our ebooks online or by storing it on your computer, you have convenient answers with canon fs200 owners manual . To get started finding canon fs200 owners manual , you are right to find our website which has a comprehensive collection of manuals listed.

Our library is the biggest of these that have literally hundreds of thousands of different products represented.



## Book Descriptions:

# canon fs200 owners manual



This page requires Javascript. Modify your browsers settings to allow Javascript to execute. See your browsers documentation for specific instructions. To install your download click on the name of the downloaded file. The driver may be included in your OS or you may not need a driver. Recommended Drivers File Name Date File Size Optional Drivers File Name Date File Size Recommended Software File Name Date File Size Optional Software File Name Date File Size Recommended Manuals File Name Date File Size Optional Manuals File Name Date File Size Scroll down to easily select items to add to your shopping cart for a faster, easier checkout. Visit the Canon Online Store This allows for uninterrupted recording of your special events and keeps your batteries ready to go. Now, its easier than ever to transfer and backup footage from your camcorder onto DVDs with the Canon DW100 DVD Burner. Created to provide data backup for Canon Hard Disk Drive and Flash Memory camcorders, the DW100 allows you to connect to a compatible Canon camcorder to download video and burn AVCHD or Standard Definition DVDs. The DW100 will also play back the AVCHD discs created in the burner on an HDTV monitor through your VIXIA High Definition Flash or Hard Disk Drive camcorder. Now, its easier than ever to transfer and backup footage from your camcorder onto DVDs with the Canon DW100 DVD Burner. The DW100 will also play back the AVCHD discs created in the burner on an HDTV monitor through your VIXIA High Definition Flash or Hard Disk Drive camcorder. As a bonus, this kit now includes two 2GB SD cards. It has everything you need to get started. This case can be conveniently carried by hand or via the comfortable shoulder strap, providing convenient handsfree protection. With a CarePAK PLUS, a damaged product will be repaired to good working condition or replaced with an equivalent product. <http://flavourit.com/uploads/userfiles/file/download-the-merck-veterinary-manual-pdf.xml>

- **canon fs200 user manual, canon fs200 instruction manual, canon legria fs200 user manual, canon fs200 owners manual, canon fs200 owners manual pdf, canon fs200 owners manual download, canon fs200 owners manual free, canon fs200 owners manual software.**

# Canon



## FS20/FS21/FS20/FS200 Official Service Manual

With a CarePAK PLUS, a damaged product will be repaired to good working condition or replaced with an equivalent product. We have 9 Canon FS200 Camcorder 680 KP manuals available for free PDF download Quick Manual, Instruction Manual, Software Manual, Product Manual, Specifications, Reference Manual. IntroductionWhat is so special about recording on flash memory Your videos and photos are recorded. Page 4 Table of contentsPage 7 Table of contentsPlease readPage 9 Special Scene Recording Programs. Names of buttons and switches other Recording in a very bright ski resort orOverviewThe following accessories are supplied with the camcorder.Page 11 Components Guide. Left side view RESET button 93Back view Remote sensor 19Page 17 PreparationsPage 18 PreparationsPage 20 Preparations. Accessories TO ATTACH A WRIST STRAPPage 21 You can also remove the grip belt and To allow the camcorder to bePage 22 Preparations. LCD Backlight. You can set the brightness of theOperating ModesPage 24 Preparations. You can access the menus and changeEven in Joystick and Joystick GuideIn either mode, if you wait a few 2 Select the icon of. Page 26 PreparationsPage 28 PreparationsSelecting the Video Quality NOTESPage 33 Selecting the Zoom TypeSelecting What Recordings to Play Back select the scene or. Page 38 VideoPage 39 1 In the index screen select the TO CHANGE THE INTERVAL BETWEEN FRAMESPage 40 VideoPage 41 operation while it is in progress. SomeAdvanced FunctionsPage 45 1 In the original movies index Transfer Utility may not be usedPage 46 VideoFor recording under tungsten and. Page 50 VideoPage 55 2 Select , the scene youPage 56 VideoPage 57 Photos PhotosPage 58 PhotosOptions. Page 59 Erasing a Photo Right After Recording It Basic Playback. You can erase the photo recorded lastPage 60 PhotosPage 63 Options Default valuePress PHOTO, first halfway toPage 65 FUNC. FUNC. marked with a. Page 66 PhotosOptions 2 Select and press.If. Page 70 Photos.<http://wiktormajak.com.pl/local/userfiles/download-the-merck-manual-of-medical-information.xml>

**Canon**

**SERVICE MANUAL**  
Digital Video Camera

**FS22 E, FS21 E**  
**FS20 E, FS200 E**

- PAL -



R2 CONFIDENTIAL

- GENERAL DESCRIPTION OF PRODUCT
- TECHNICAL DESCRIPTION
- DISASSEMBLING
- SERVICE MODE/ADJUSTMENT
- SERVICE HINTS
- BLOCK DIAGRAMS
- BOARD DIAGRAMS
- CHARTS
- READ ME

Copyright © 2009 Canon Inc.

Selecting Photos for Printing Print Order Setting Print Orders from the Index Screen. Set the print orders before connecting. Page 71 Printing starts. The print settingsPage 73 In all respects, exactly the same connection as connection above. Connection Connect to a standard TV or VCR with. Page 74 External ConnectionsPage 75 Options for creating DVD discs Connecting to the DVD Burner andPage 77 or less. In such case, the connectionPage 79 transfer photos to a computer. Try usingPage 80 External ConnectionsWhen the camcorder is connected to the. Page 81 Additional Information Additional InformationFUNC. Menu Playback ModesPage 85 Memory Operations Initialization, etc.Page 88 Additional InformationTroubleIf you have a problem with your camcorder, refer to this section. Sometimes what youPage 92 Additional InformationPage 93 Screen displays turn on and off repeatedly.Replace or charge the battery pack. Page 94 Additional InformationPage 96 Additional InformationPage 97 NO PHOTOSPage 98 Additional InformationIf a message appears while the camcorder is connected to the optional. Page 100 Additional Information. Direct Print Related MessagesPage 101 PAPER JAMAAfter removing the paper, set some. Page 102 Additional Information. Do's and Don'tsCamcorder the lens.Page 106 Additional Information. Condensation may form in the following cases Playback on a TV Screen. Page 107 On the memory cardPage 110 Additional Information. Recording and Playback Times. The recording and playback times given in the following table are approximate andA handy camcorder bag with paddedRecording System Movies SDVideoPage 114 Additional Information. CA570 Compact Power AdapterVIDEO SNAP..... Page 118 Canon Europa N.V. Note Please use Adobe Reader 6.0 or later to browse this PDF file.You may download and use the Content solely for your personal, noncommercial use and at your own risks.

Canon shall not be held liable for any damages whatsoever in connection with the Content, including, without limitation, indirect, consequential, exemplary or incidental damages. You shall also not and shall not let others reproduce, modify, reformat or create derivative works from the Content, in whole or in part. Using the online preview, you can quickly view the contents and go to the page where you will find the solution to your problem with Canon LEGRIA FS200. To start viewing the user manual Canon LEGRIA FS200 on full screen, use the button Fullscreen. However, if you do not want to take up too much of your disk space, you can always download it in the future from ManualsBase. The option to print the manual has also been provided, and you can use it by clicking the link above Print the manual. You do not have to print the entire manual Canon LEGRIA FS200 but the selected pages only. paper. If you want to quickly view the content of pages found on the following pages of the manual, you can use them. Recording on flash memory means that there are no moving parts in the recorder unit of the camcorder. To you, it means a camcorder that is smaller, lighter and faster. Other features of this camcorder Whether you are using a camcorder for the first time or are very experienced, this camcorder offers manCharging the Battery Pack The camcorder can be powered with a battery pack or directly using the compact power adapter. Charge the battery pack before use. You may find documents other than justIt arrived already charged. We plug it in and it wont recharge. What.We keep our list of direct Canon FS200 Camcorder 680 KP driver and firmware links uptodate so they are easy to find when you need them. Post your question here in this forum. Were committed to dealing with such abuse according to the laws in your country of residence. When you submit a report, well investigate it and take the appropriate action.

# Canon

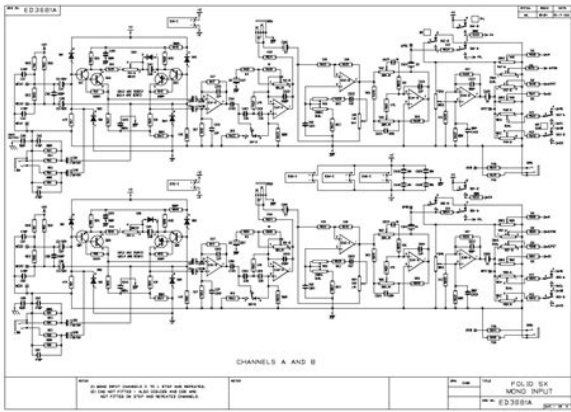


## **FS20/FS21/FS20/FS200 Official Service Manual**

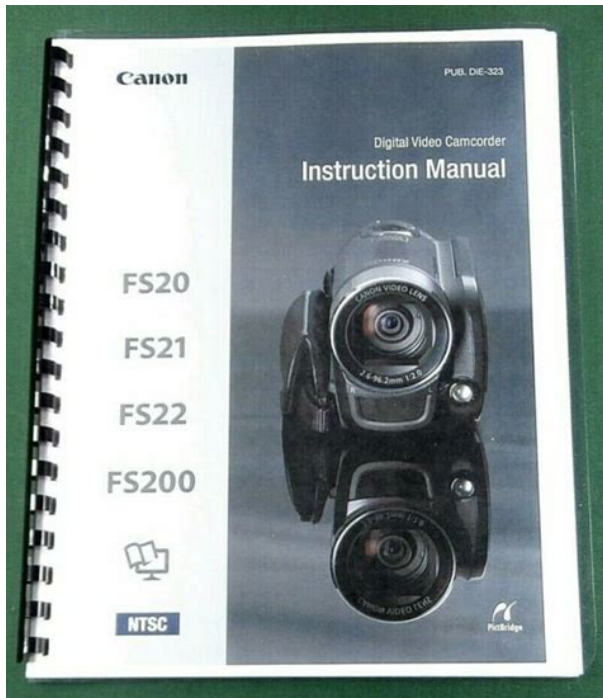
<http://www.raumboerse-luzern.ch/mieten/bosch-jigsaw-1587vs-manual>

Well get back to you only if we require additional details or have more information to share. Note that email addresses and full names are not considered private information. Please mention this; Therefore, avoid filling in personal details. Please enter your email address. And by having access to our ebooks online or by storing it on your computer, you have convenient answers with Canon Fs200 User Manual. To get started finding Canon Fs200 User Manual, you are right to find our website which has a comprehensive collection of manuals listed. Our library is the biggest of these that have literally hundreds of thousands of different products represented. I get my most wanted eBook Many thanks If there is a survey it only takes 5 minutes, try any survey which works for you. You may have to register before you can post click the register link above to proceed. To start viewing messages, select the forum that you want to visit from the selection below. UserFriendly Manuals. Product Instructions. C2C41340 Model Jaguar XJ8 XJR 04 09 Front Air Spring C2C41340 1 All kinds of air suspension shocks for passenger car are available here. 2 High quality with competitive price 3 Long warranty time 4 Long fatigue test times 5 OEM is welcomed Install Location Workshop Company Information Qingdao Senho Vibration Control Technology Co.,Ltd. belongs Qingdao Yongdao Group, established in 2006, specialized in development and production of rubber air spring and vehicle rubber products. Its located in Qingdao city of Shandong province, covers an area of 3 0,000 square meters, r egistered capital of RMB7.4 million, production capacity of 800000 pieces per year. We committe to provide highquality products for customers and many of them have patent. Around senho,around sunshine.Welcome to your visit sincerely Contact Information OEM No 441918. Please send us Your Search Requirement, or you can Post a Buying Lead, suppliers may contact you actively.

<http://dzkgjy.com/images/bubble-up-radon-manual.pdf>



<http://www.e-lysis.com/images/bubbleator-b-quick-manual.pdf>



[mognational.com/wp-content/plugins/formcraft/file-upload/server/content/files/1627194f102a19---brandt-washer-dryer-user-manual.pdf](http://mognational.com/wp-content/plugins/formcraft/file-upload/server/content/files/1627194f102a19---brandt-washer-dryer-user-manual.pdf)

<https://www.thebiketube.com/acros-bosch-jigsaw-manual-1587avs>