



File Name: canon 10d manual espa ol.pdf

Size: 4238 KB

Type: PDF, ePub, eBook

Category: Book

Uploaded: 27 May 2019, 19:21 PM

Rating: 4.6/5 from 571 votes.

Status: AVAILABLE

Last checked: 4 Minutes ago!

In order to read or download canon 10d manual espa ol ebook, you need to create a FREE account.

[**Download Now!**](#)

eBook includes PDF, ePub and Kindle version

[Register a free 1 month Trial Account.](#)

[Download as many books as you like \(Personal use\)](#)

[Cancel the membership at any time if not satisfied.](#)

[Join Over 80000 Happy Readers](#)

Book Descriptions:

We have made it easy for you to find a PDF Ebooks without any digging. And by having access to our ebooks online or by storing it on your computer, you have convenient answers with canon 10d manual espa ol . To get started finding canon 10d manual espa ol , you are right to find our website which has a comprehensive collection of manuals listed.

Our library is the biggest of these that have literally hundreds of thousands of different products represented.



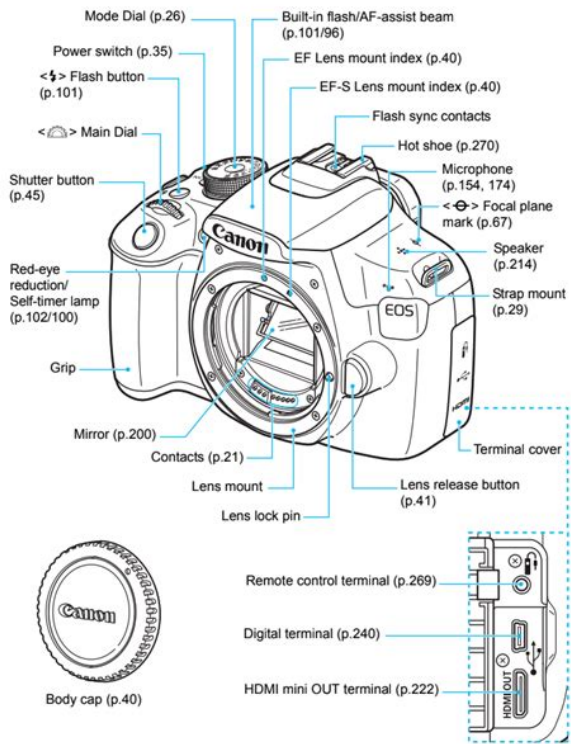
Book Descriptions:

canon 10d manual espa ol



Utilizando la vista previa online, puedes ver rapidamente el indice de contenidos y pasar a la pagina donde encontraras la solucion a tu problema con Canon EOS 10D. Sin embargo, si no quieres ocupar espacio en tu dispositivo, siempre podras descargarlo de ManualsBase. La opcion de impresion tambien esta prevista y puedes utilizarla haciendo clic en el enlace mas arriba Imprimir el manual. No tienes que imprimir el manual completo de Canon EOS 10D, solo las paginas que elijas. Ahorra papel. Puedes utilizarlos si quieres ver rapidamente el contenido que se encuentra en la siguientes paginas del manual. Contents Introduction Downloading Images from the Camera 1 Setting the Cameras other than the EOS1D Series Cameras 2 Setting the EOS1D Series Cameras 3 Click to move to the previous page.Marks additional information that you will find helpful. Click to move You can connect the camera while your computer is running. For instructioYou can display the images saved on a memory card in the camera, select the images you Downloads the Starts the ZoomBrowser EX.You can follow this same procedure whenIntroduction Even if RAW images are displayed, they cannot be downloaded.You can select a Picture Style and set it to the camera, or register a Picture Style file, 1 The camera settings wiindow appears.This function is compatible with the EOS 5D and EOS 30D. 2 The shot settings window appearSetting the Cameras 2 The settings are applied to the camera. This page requires Javascript. Modify your browsers settings to allow Javascript to execute. See your browsers documentation for specific instructions. To install your download click on the name of the downloaded file.Recommended Software File Name Date File Size Optional Software File Name Date File Size Recommended Manuals File Name Date File Size Optional Manuals File Name Date File Size Scroll down to easily select items to add to your shopping cart for a faster, easier checkout.<http://egymatec.com/userfiles/dlink-5029l-manual.xml>

- **canon 10d manual espa ol, canon 10d manual espa ol download, canon 10d manual espa ol latino, canon 10d manual espa ol 2017, canon 10d manual espa ol pdf.**



Visit the Canon Online Store It is designed to supply uninterrupted power for your camera. Kit includes the AC adapter, DC coupler and power cord. Adapter EcC, EdC The lens fits into the eyepiece holder of you EOS camera. Please see the Compatibility tab for a list of compatible EOS cameras. The lens fits into the eyepiece holder of you EOS camera. The lens fits into the eyepiece holder of you EOS camera. The lens fits into the eyepiece holder of you EOS camera. The lens fits into the eyepiece holder of you EOS camera. The lens fits into the eyepiece holder of you EOS camera. Requires Rubber Frame Ef, Eb or Ec The lens fits into the eyepiece holder of you EOS camera. The cable connects to your camera and to the USB port on your PC or MAC Computer. Comes standard with the EOS 1Ds Mark III, 1D Mark IV, 1D Mark III, 1Ds Mark II, 1D Mark II N, 1D Mark II, 5D Mark II, 7D, 5D, 50D, 40D, 30D, 20D, 10D, Digital Rebel XTi, Digital Rebel XT and Digital Rebel. Please see Compatibility tab for compatible models. The Remote Switch works just like a shutter button, enabling halfway or complete pressing. This remote switch has a selftimer, interval timer, long exposure timer and exposurecount setting feature. The timer can be set from 1 second to 99 hours. A new dial enables you to easily enter the numeric settings with a single thumb. Comes standard with the EOS 1Ds Mark III, 1D Mark IV, 1D Mark III, 1Ds Mark II, 1D Mark II N, 1D Mark II, 5D Mark II, 7D, 5D, 50D, 40D, 30D, 20D, 10D, Digital Rebel XTi, Digital Rebel XT and Digital Rebel. Please see Compatibility tab for compatible models. Keep this booklet handy for easy reference. English Edition. It is compatible with all Canon EF lenses and designed for quick and easy shooting at any time. It is full featured for all types of shooting, from fully automatic snap shooting to highly creative work. Please purchase it separately. CF cards made by Canon are recommended. <http://galatarenova.com/E/dlink-3528-manual.xml>

Canon

EOS 10D DIGITAL

INSTRUCTION MANUAL



Be sure to read this instruction
Manual before using your camera.
For the first time, charge the battery
thoroughly for easy reference.



This digital camera supports Exif 2.2 also called "Exif Print". Exif Print is a standard for enhancing the communication between digital cameras and printers. Set the camera's main switch to the OFF position and remove the camera battery or unplug the power cord from the electrical outlet immediately. Please consult your camera distributor or the closest Canon Customer Support. Handling it with wet hands may lead to electrical shock. When unplugging the cord, ensure that you hold the rigid portion of the plug. Pulling the flexible portion of the cord may damage or expose the wire and insulation, creating the potential for fires or electrical shocks. Exposure to intense sunlight and heat may cause the batteries to leak, overheat or explode, resulting in fire, burns or other injuries. If the camera gets wet, take it to your nearest Canon dealer as soon as possible. If small amounts of water splash onto the camera, wipe it with a clean dry cloth. If the camera is exposed to salty air, wipe it thoroughly with a slightly damp cloth. Otherwise, you may be unable to record or play back images. Recharge the battery. Load the battery. Connect the power cord to the battery. Open the battery compartment charger, then attach the battery. When cover and slide the battery pack the charge lamp stops blinking and into position until it locks into place. Set the focus mode switch on the lens to Align the red dots on the lens and camera and turn the lens in the. Before You Start Attaching the Strap Pass the end of the strap through the strap mount from beneath, then back in and out of the strap clasp as shown. This may lead to excessive battery discharge and a shorter battery service life. Insert the battery into the camera. Then you do not have to worry about exhausting the battery while using the camera. Set to this position when not using the camera. There are two ways to operate the electronic dial as described below.

While looking at the LCD monitor, press the button on the back of the camera and turn the. To turn off the menu, press the button again. In these modes, all you do is point and shoot. In addition, to help prevent mistakes caused by operating the camera improperly, the The Canon EOS 10D can capture subjects at any of seven AF points, so that anybody can take great shots easily. Focus tracking will then continue with any of the seven AF points covering the subject. Settings for Shooting For Basic Zone modes, only the imagerecording quality except , file. To extract the JPEG image embedded in the RAW image file, you will need the dedicated software. Therefore, a high ISO speed is suited for moving subjects or shooting in lowlight conditions. However, the image will

contain more noise to make it look coarse or grainy. For shaded areas outdoors. Approx. 7000 K For cloudy or hazy days and during sunsets. Approx. By selecting this image, you import its white balance data for the white balance setting. This is called white balance bracketing. White balance bracketing will not work if the image recording quality is You can register and save up to three sets of processing parameters. The camera is compatible with the sRGB and Adobe RGB color spaces. Selecting sRGB For normal shooting, set sRGB for the color space. The folders are numbered from 100 to 999 and saved in the CF card. By selecting the optimum AF point, autofocusing can be executed while you maintain the desired subject framing. You can also set the AF mode to suit the subject or intended effect. The camera has three AF modes 1. One Shot AF for still subjects, 2. AI Servo AF for moving subjects, and 3. AI Focus AF that switches automatically from OneShot AF to AI Servo AF if the subject starts to move. Set the lens focus mode switch to The AF point which achieved focus will flash briefly and the focus confirmation light in the viewfinder will light at the same time.

Canon Eos-1v (eos 1v) Camera Service Repair Manual



[DOWNLOAD HERE](#)

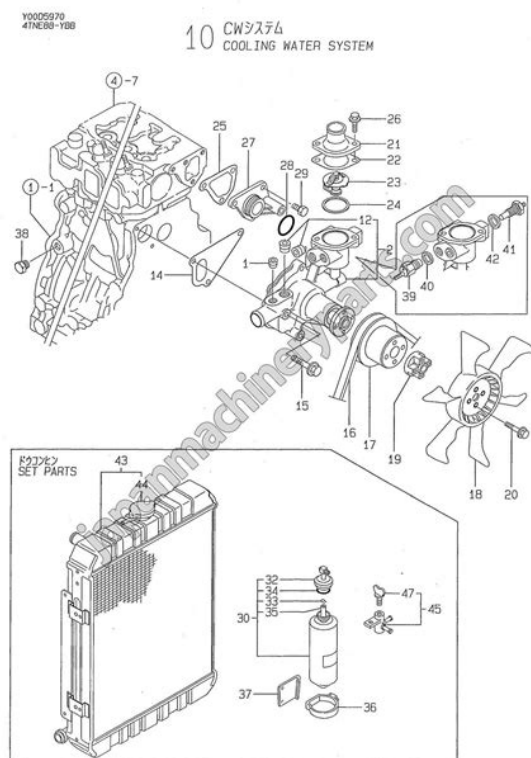
Canon EOS-1V camera service repair manual. This Canon service repair manual illustrated picture and step-by-step instructions and used by Canon technician. With this service repair manual, you may easy repair you camera and save money send to workshop for repair. This Canon EOS-1V Service Manual Covered: - Disassembly and Part Replacement - Schematic and Circuit Diagrams - Repair Hints - Troubleshooting - Service Information - Technical Explanation - Maintenance Tools - PCB Board Function And More This is digital PDF manual. No shipping cost. Instantly Download and start reading in minute.

<http://fscl.ru/content/4-speed-manual-floor-shifter>

In the Basic Zone modes and mode, AF point selection will be automatic. In the modes, AF point selection can be set to either automatic or manual. You can register an off center AF point which suits your preferred framing or automatic selection for the shooting moment priority. Any of the seven AF points can be registered. Only one AF point can be registered. For the drive mode, single frame, continuous, and self timer are provided. Select the mode which best suits the subject or your creative intentions. Metering mode Evaluative metering Partial metering Centerweighted average metering Drive mode Single frame Continuous. The Basic Zone uses evaluative metering. In the Creative zone, any of the three modes can be selected. Press the button. Select a metering mode. The viewfinder is divided into 35 metering zones to which all the AF points are linked for evaluative metering. After detecting the main subject's position, brightness, background, front and back lighting conditions, camera orientation horizontal or vertical, etc., the camera sets the proper

exposure. The selftimer lamp will start blinking and the beeper will sound to indicate that the selftimer is operating. After about 10 sec., the image will be captured. During the first 8 sec., the lamp blinks and the beeper beeps slowly. The camera automatically sets the shutter speed and aperture value to suit the scene's brightness. Although the image can be captured, it may come out too bright or too dark. This is called Shutter Priority AE. A fast shutter speed can freeze the motion of a fastmoving subject and a slow shutter speed can blur the subject to give the impression of motion. This effect is ideal for portraits. To determine the exposure, refer to the exposure level indicator in the viewfinder or use a handheld exposure meter. It is effective for group photos and landscapes. The camera uses the seven AF points to detect the nearest and farthest subjects to be in focus.

<http://atlantichurricane.com/images/brother-p-touch-manual-pt-1830.pdf>



You can make the image look lighter increased exposure or darker decreased exposure. Turn the Mode Dial to any Creative Zone mode except In the mode, AEB is executed by changing both the shutter speed and aperture. In the After locking the exposure, you can recompose the shot while maintaining the desired exposure level. This feature is useful for backlit and spotlighted subjects. AE lock works differently depending on the selected AF point and metering mode. Bulb is useful when a long exposure is necessary for capturing night scenes, fireworks, the night sky, etc. Set the Mode Dial to. To set this Custom Function, see "Setting a Custom Function" on page 145. When mirror lockup is set, the camera operates as follows. The procedure is as easy as a normal AE shot. This chapter explains how to take flash shots with the builtin flash and EOSdedicated Speedlite 550EX. In the aperturepriority AE mode, a slow sync speed is set automatically in lowlight situations to obtain a naturallooking, balanced exposure between the subject and background. The shutter speed and aperture value are determined automatically, just as in. Other wise the lens barrel may partially obstruct the flash coverage and cause part of the image to look dark. The camera's redeye reduction feature turns on the redeye reduction lamp to shine a gentle light into the subject's eyes to narrow the pupil diameter or iris. FE Lock is a function in the Creative zone. Flash exposure compensation

works in Creative Zone modes. Regarding the operation of the 550EX, refer to the Speedlite's instructions. Set the Mode Dial to. MODE SELE PILOT Make sure the Speedlite 550EX's pilot. The flash output is changed for the three shots while the background exposure remains the same. Flash Exposure Compensation For flash shots with flash exposure compensation, see "Flash Exposure Compensation" for the builtin flash.

<http://atmos-service.com/images/brother-p-touch-manual-pt-80.pdf>

Canon

EOS 10D

DIGITAL

INSTRUCTION MANUAL



Be sure to read this Instruction Manual before using your camera



Image Playback When attempting to playback images not taken with the camera The camera might not be able to properly display images captured with a different camera or edited with a personal computer for image processing or changing the file name. Besides selecting and viewing a single image, you can view the image with shooting information, an index of thumbnails, and a magnified view. You can also rotate the image and jump to an image far ahead or back. Single Image Image with shooting information Index display. Set jump display. Each image is displayed for approximately 3 seconds. This allows you to play images with the correct orientation. Always turn off the camera and the television before connecting or disconnecting them. Open the cover. Connect the cable. Erasing a Single Image Set the camera for playback. In such a case, format the CF card with the camera first. All direct printing operations can be done with the camera. You control the printing operation with the camera buttons. This is called direct printing. To BJ printer Follow steps in "Connecting to a Card Photo Printer". The printing will stop. When Stopping the Printing With a card photo printer If only one print is being printed, you cannot stop the printing. This feature is very convenient when you make prints with a DPOF compatible printer or printing lab. DPOF Digital Print Order Format DPOF DPOF Digital Print Order Format is a standard used to record on the CF. Then those images can be printed with a DPOF compatible printer or printing lab as you have specified. Printers capable of direct printing from the camera can also print the images as specified by DPOF. Order the prints from the Just insert the camera. Print Type Index The images are made smaller to be printed as index images on the paper. Both Prints both the standard and index prints. The print will not have a date imprinted. Exit the set up screen. The printing will stop. Especially settings for shooting are

called Custom Functions C.Fn.

mark you see in this Instructions gives just a brief description of the respective Custom Function. This chapter explains the menu settings and Custom Functions in detail. For setting the color temperature directly to match the color temperature detected by any handheld color temperature meter. Information on new firmware and firmware updates are provided at Canon's Web site. This prevents the AF from being thrown off. Automatic AF point selection can also be registered as the home position. Center AF point Automatic selection Bottom. Maintenance. The date and time are recorded with the image file for each captured image. Note that the image sensor is a very delicate component. If possible, you should have it cleaned by a Canon Service Center. The camera will turn off and the shutter will close. It covers basic shooting concepts, camera specifications, system accessories, and other reference information. Reference. Abbreviation for auto focus. It enables the camera to focus the subject automatically. CF CompactFlash card CF card is the small, card-shaped storage media used to record images taken by the EOS 10D. It is equal to the focal length divided by the aperture diameter. It adjusts the amount of light striking the CMOS sensor. The aperture value is displayed on the camera's LCD panel and in the viewfinder. The subject is too 2 Attach a neutral density filter bright. In addition, ". Message Description Busy The camera is either processing the data or writing the captured image onto the CF card. Wait until it is finished. Loading image. The camera is reading the image in the CF card. Wait until it is finished. Turn off the camera After cleaning the image sensor, turn the switch to. The image was captured by another camera or in an incompatible format. Or the image has been edited with a personal computer. Have the waste ink tank replaced by your dealer or service center see the list that came with the BJ printer at your earliest convenience.

www.hypnotiseur.com/wp-content/plugins/formcraft/file-upload/server/content/files/16270ba8da8e84---botany-lab-manual-answers.pdf

Printer error Turn off the printer and turn it back on. Jot down the "xx" error code and take your camera to the nearest Canon Service Center see list of service centers on the back cover. Contact your dealer or Canon Service Center. The image is out The lens focus mode switch is set to or. The rated voltage is 7.4 V. Rechargeable with Battery Charger CB5L. CF Card Data storage device where the captured images are recorded. PC Card Adapter Enables a CF card to be inserted into a PC card slot of a. It corresponds to version 1.20 of the software. It corresponds to version 3.14 of the software. El manual de usuario es necesario para conocer las reglas de la instalación y la explotación de Canon EOS 10D. We provide it for the sake of ease and simplicity. By employing this Table of Contents, you can get in to the certain part of this article simply by clicking on the points below. Contents show 1 The Introduction of Canon EOS 10D Manual 1.1 The Overall Look of Canon EOS 10D Camera 1.2 The Specification of Canon EOS 10D Camera 1.3 The Price and Impression of Canon EOS 10D 2 Canon EOS 10D Manual User Guide The Introduction of Canon EOS 10D Manual As a product complement, manual plays a big role in helping users understanding a certain digital camera product. This is so especially due to the rich information inside. With this manual, users will be able to figure out many kinds of information regarding to the camera product. Some information such as specification, features, camera parts, instruction, and others will be provided here. So, for you who are still learning about camera, referring to the user manual of it will be the best idea to take. Further, due to this importance, here we aim to bring you manual of one digital camera products from Olympus. This is it, the Canon EOS 10D Manual. The Overall Look of Canon EOS 10D Camera Look always plays a big role in attracting customers. With the look, people can be instantly attracted to a certain camera product.

More than that, look is also representing the personality of the camera owner. And it is also reflecting the quality and class of the product. This is why many manufacturers are concerning to bring the most sophisticated look of a camera. So, before jumping up to the Canon EOS 10D Manual,

here we are going to talk about the look of this camera first. First time to notice of Canon EOS 10D is the material used in almost the whole of its body, magnesium alloy which is exactly the same material used in D1s. This material helps very much in giving solid and rough feel but still light to carry. Move to design, Canon does a good job in designing this cool camera. Canon EOS 10D has rounded body which is easy to handle with deep handgrip to ensure secure handle. The gap between handgrip and lens is wide enough giving comfort in handling. Noticeable improvement on Canon EOS 10D is also on the layout of setting button with additional features like extended ISO and orientation sensor. The features bring ease to user to operate with instant access. The Specification of Canon EOS 10D Camera Canon has announced Canon EOS 10D to fill up its compact DSLR series with some improvement on its features. Canon EOS 10D brings some improved features to accommodate user need in great features compact size camera. With considerable price, Canon EOS 10D tries to attract the market by bringing the success of EOS D30 which has its special features in its range. Priced fairly high in its range, what can Canon EOS 10D do for you. Here is the review. Find deeper explanation about this camera in this wiki page. Based on the Canon EOS 10D Manual, a 6.3 MP CMOS sensor is placed with awesome extended ISO up to 3200 with fast autofocus, fairly fast in its class.

The good thing here to know from Canon EOS 10D is the new improved CMOS sensor which is better from CMOS sensor on EOS D30 to improve clarity and its illuminated LCD offers good performance even under sunlight, it is easier to review your photos. Canon EOS 10D offers superb performance in taking picture in the low light thanks to the advanced sensor and new manufacturing on its CMOS sensor. The image it can produce is really smooth and clear and indicates its new sensor and AF works well like a charm. The last, for power supply, Canon EOS 10D is equipped with rechargeable lithium ion battery BP511 and can be connected with PC via USB 1.1. This is the review of Canon EOS 10D, and overall with all features it has, it can be a good consideration to buy. Canon EOS 10D Manual User Guide It's been stated since the first time that the aim of this article is to provide the Canon EOS 10D Manual. With this manual, we hope that we can help you understanding this camera product better y providing reliable sources. But, before you decided to download the Canon EOS 10D Manual below, please remember that we provide this manual in PDF file format. So, it will be better if you download the PDF reader software such as Adobe Reader first. Download EOS 10D Manual Read other Canon camera manual user guide in this page. Find more Camera user manual several other brands in this page. Finally, that's all of the information regarding to the Canon EOS 10D Manual that we need to share. Any other concern about this product, you can put them in the comment session below. And if you think that this writing is informative, you are allowed to share it in your personal page. So, the information here can spread in the wider range of audience. Finally, we hope that this article is useful, and able to update your technological knowledge.

Share Pinterest Tweet Linkedin Email Prev Article Next Article Related Articles Canon PowerShot A410 Manual for Canon Compact Camera with Style Canon PowerShot SX210 IS Manual User Guide and Specification Leave a Reply Cancel reply This site uses Akismet to reduce spam. Learn how your comment data is processed. By continuing to use this website, you agree to their use. Please consider supporting us by disabling your ad blocker. Refresh. Used Very GoodItem is in perfect working condition. Both LCD displays are scratch fear. Hardly any signs of wear and tear are visible on the camera body, The camera is very clean and comes in original box with battery, strap, and charger. We are a Canon USA authorized retailer. POPlease try again.Please try again.Please choose a different delivery location.In order to navigate out of this carousel please use your heading shortcut key to navigate to the next or previous heading. Register a free business account Please try your search again later.It offers a sevenpoint widearea autofocus system, fast 3framespersecond burst rate, and an ergonomic, supertough magnesium alloy body shell. The 6.3million effective pixel CMOS sensorproviding up to 3,072 x 2,048 pixelsis supported by Canons unique highpower DIGital

Imaging Core DIGIC processor. The speed at which the DIGIC processor works has allowed Canon to extend the number of full resolution images in burst sequences to nine, at a rate of 3 frames per second. As well as improved speed, DIGIC also helps produce more accurate color rendition while reducing image noise. The metering system, using the newest metering algorithm available and a 35zone evaluative metering system linked to all seven focus points, offers improved exposure consistency and stability. A range covering ISO 100 to 1,600 offers highquality images across a very broad spectrum of shooting conditions. Photographers working in particularly poor light may also take advantage of an option to extend this range to ISO 3,200.

The EOS10D is the first digital SLR camera to feature direct printing. Linking via a USB cable, you can make prints immediately from any of Canons range of compatible bubble jet or CP printersincluding the S830D, S530D, and CP100 without the need to connect to a computer. Controls within the cameras own menu system allow you to choose print quantity, size, and image cropping. When using Canons card photo printer CP100, with the optional battery pack, prints can be made in the field away from a power supply. Other features include Automatic selection of FAT16 or FAT32 file systems, to support largecapacity CompactFlash Type I or II memory cards of over 2 GB storage size such as Microdrives. 1.8inch TFT transreflective LCD monitor with five brightness levels and 10x zoom. Super Intelligent Orientation Sensor detects whether the camera is being held in the portrait or landscape orientation when an image is captured, and automatically rotates the image in the cameras LCD preview screen and on a computer when downloading using Canons ZoomBrowser software. Extended battery life providing approximately 650 images without flash or 500 images with 50 percent flash. Ability to save an image in RAW format even when it was shot in JPEG mode. The EOS10D comes complete with battery pack, compact single batterycharging unit, USB cable, video cable, the latest Canon software and Photoshop Elements. The EOS10D accepts the same BP511 battery pack, and the same BGED3 battery grip as the EOSD60. The 10D, with its APS C sized CMOS sensor and 6.3 effective megapixels, provides photographers with the superior performance, advanced features, and ingenuity they expect from a Canon EOS SLR camera. Equipped with Canons exclusive DIGIC technology, the EOS 10D delivers enhanced image quality, autofocus accuracy and speed. The EOS 10D boasts exceptional performance with a highspeed 7point AF and 3 fps of continuous shooting with a maximum burst of 9 shots.

The EOS 10D also features selectable Adobe RGB and sRGB color spaces, an ISO speed range from 100 to 3200 and a color temperature that can be set from 2800K to 10000K in 100K increments. Other attributes include a vertical orientation detection sensor for automatic rotation of vertical images and direct print capabilities from Bubble Jet Direct and Card Photo Printers. Canons EOS 10D exceptiona.Created through a new highprecision manufacturing method, it delivers ultrafine accuracy with an effective 6.30megapixel resolution approximately 6.50 total megapixels and features advanced new peripheral circuitry that further enhances image quality. The effective sensor size 22.7 x 15.1mm has the same 32 ratio as film cameras, enabling an effective angle of view that is 1.6x the normal EF lens focal length. HighPerformance Imaging Engine Information captured by the CMOS sensor is processed and assembled into images of exceptional quality by new Imaging Engine, the latest version of Canons exclusive allinone DIGIC digital imaging processor. In fact, reproduction is so accurate that noise reduction is unnecessary, even with long exposures. Rigid MagnesiumAlloy Body The lightweight EOS 10D has a rocksolid look and feel that suits demanding outdoor use. Tough and reliable, its top, front and rear covers are made of rigid magnesium alloy the same material featured in the bodies of Canons topofthe line EOS1 professional models. The body is just the right size 140.7 x 107.5 x 75.0mm and weight 790 grams for stable, easy handling, and features a black satin finish that heightens the look of elite quality. High Speed 7Point AF Canons wide area 7point AF system ensures sharp, accurate focusing with speedy subject tracking that is consistently maintained even at 3 fps. Selection of the AF point can be automated by the EOS 10D or manually controlled through use of easytooperate dials and a superimposed display of the seven AF points.

3 fps Continuous Shooting With a continuous shooting speed of up to three frames per second and a maximum burst of nine shots, the EOS 10D is equipped to seize every photo opportunity. The highperformance imaging engine and generous buffer memory help maintain this speedy performance regardless of selected recording quality, ISO speed and subject conditions. Color Matrix The wide range of selectable processing parameters includes a choice of two professional color spaces the standard sRGB color space and the expanded Adobe RGB 1998 color space. Making the selection that best suits your needs is always easy with the Canon EOS 10D. Expanded Zoom Display during Playback When viewing recorded images on the cameras display, you can enlarge them up to 10x in 15 steps for detailed analysis. Simple controls enable horizontal and vertical scrolling, as well as viewing of the previous or next image stored in the CF card from the same enlarged view. Nine images are displayed simultaneously in the maximum reduced view. White Balance and WB Bracketing Six automatic white balance modes provide optimum settings for most shooting situations. Precise dialling in of color temperature in Kelvin values is also possible, with settings selectable from 2800K to 10000K in 100K increments. White balance bracketing lets you capture three images normal, reddish, bluish with one shot, and at the same exposure level, with white balance shifted to 3 stops in wholestop increments. Auto Manual and Manual ISO Speed ISO speed is automatically set between 100 and 400 depending on shooting mode Full Auto, Landscape, Closeup, Night Portrait or Flashoff, or manually set to 100, 200, 400, 800, 1600 or 3200. Both recording methods provide six selectable settings for JPEG image quality. Canons proprietary RAW CRW format is preferable when the highest possible image quality is desired. The JPEG file format is ideal for purposes such as Internet image transfer that require reduced file sizes.

<https://formations.fondationmironroyer.com/en/node/8971>